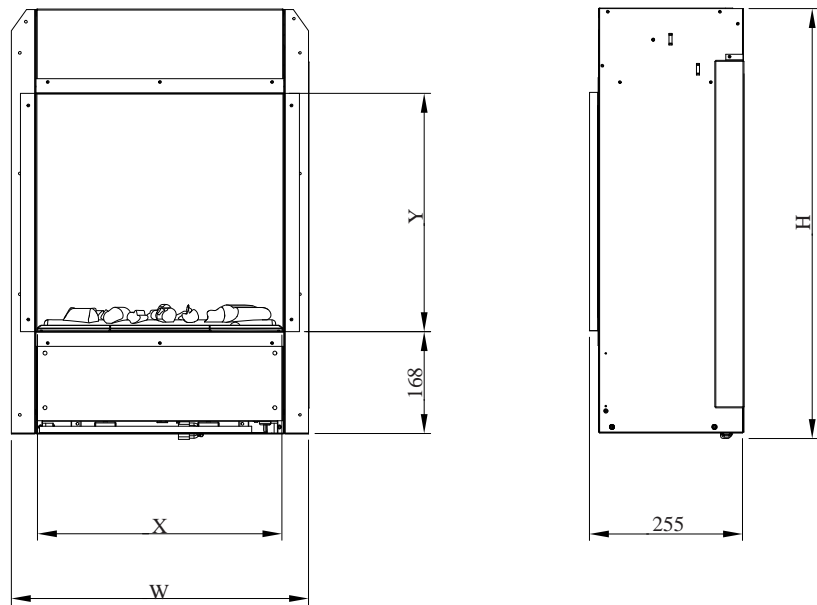


Pro Range  
ENG56-400, ENG68-400, ENG56-600



08/51804/0 Issue 4

Fig. 1



MODEL	'H'	'W'	'X'	'Y'
ENG56-400	700mm	490mm	413mm	395mm
ENG68-400	823mm	490mm	413mm	517mm
ENG56-600	700mm	646mm	569mm	395mm

Fig. 2

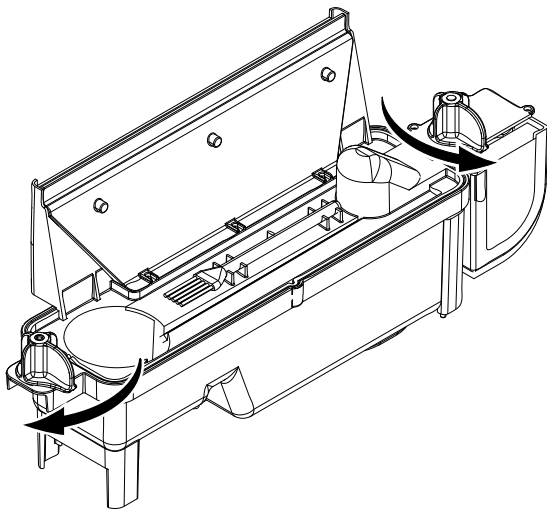


Fig. 3

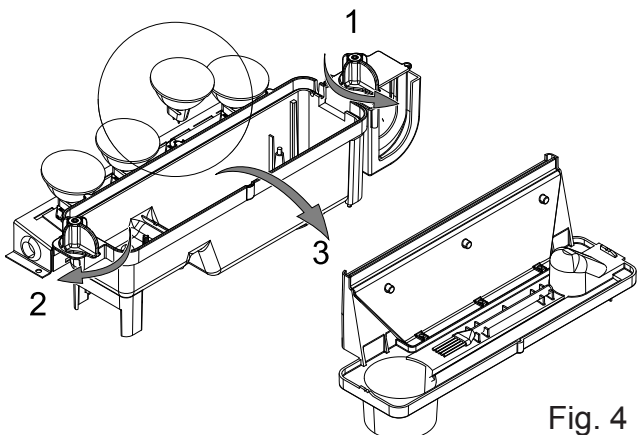
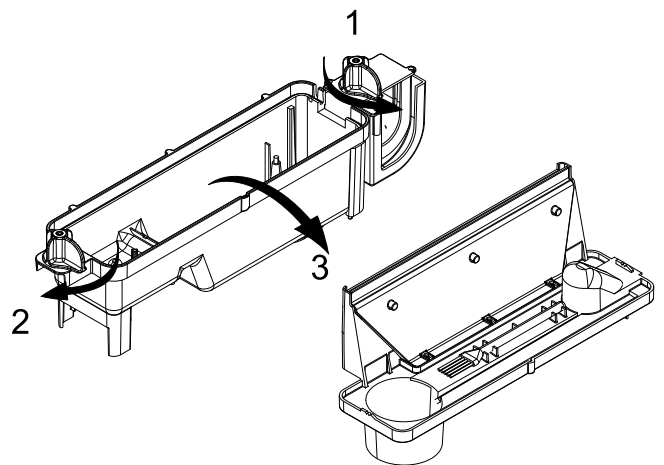


Fig. 4

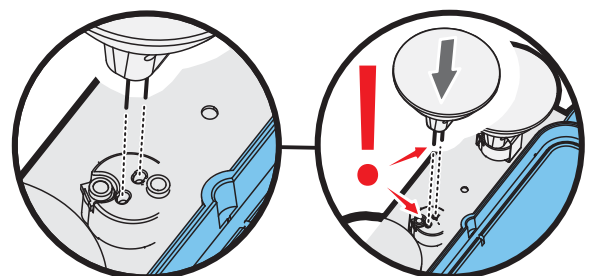


Fig. 4a

Fig. 5

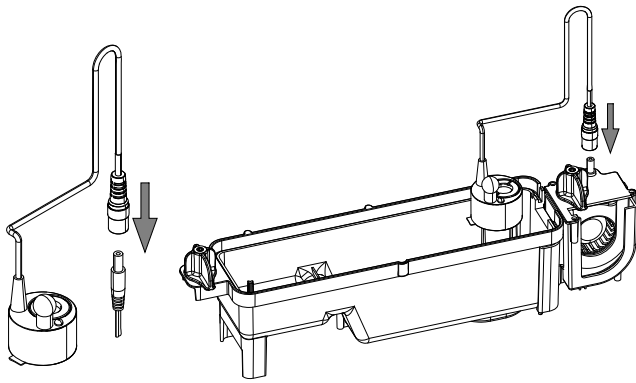


Fig. 5a

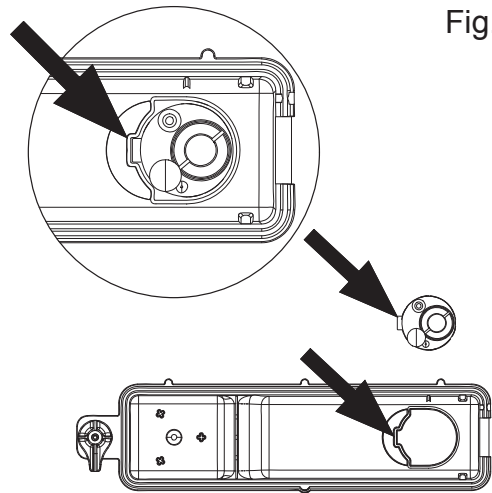


Fig. 5b

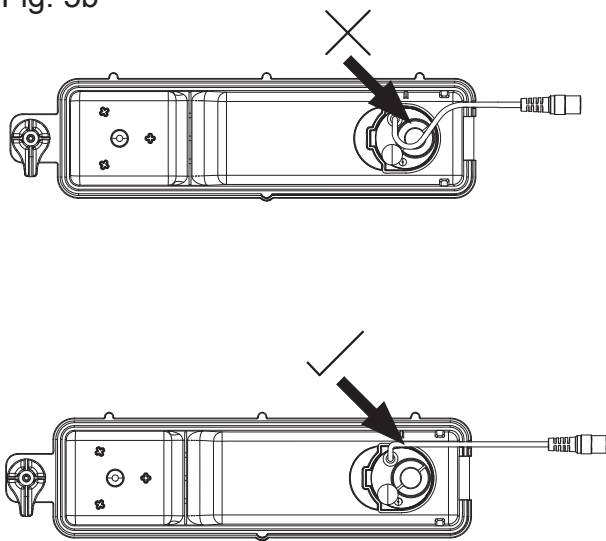


Fig. 6

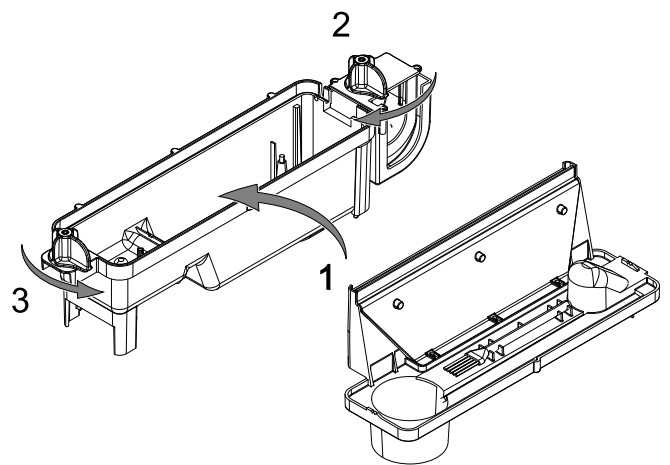


Fig. 7

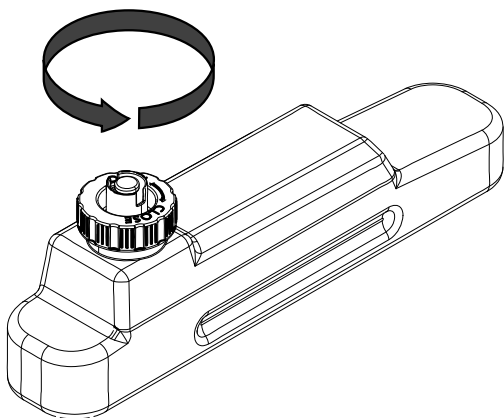


Fig. 8

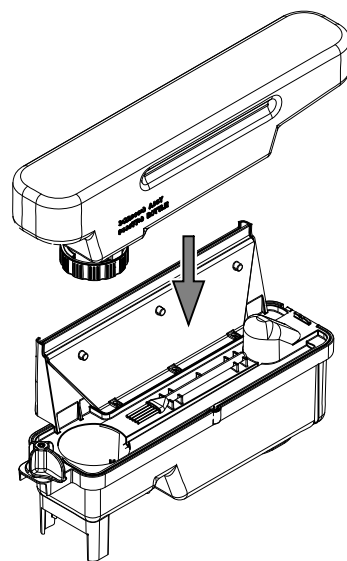


Fig. 9

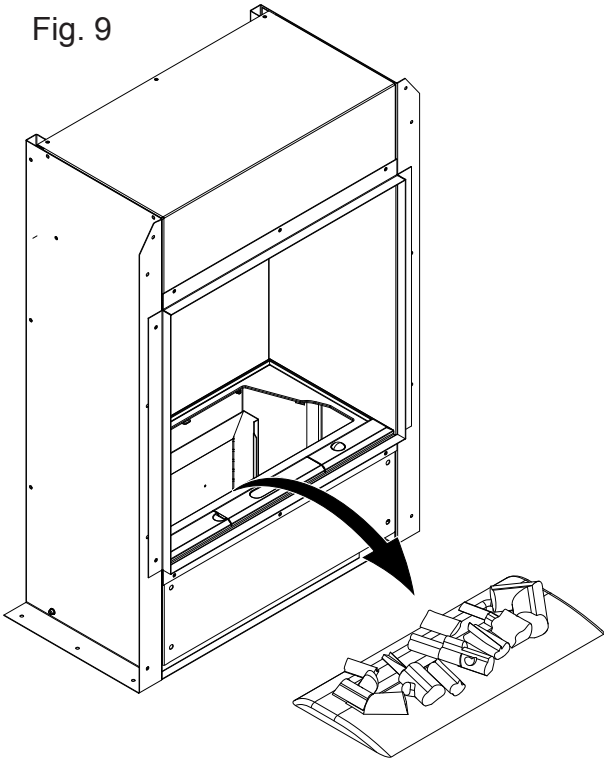


Fig. 10

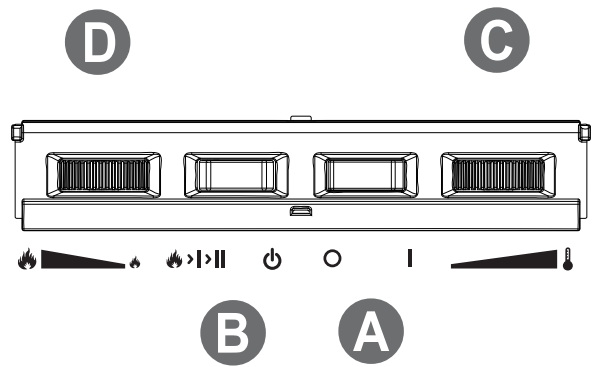


Fig. 11

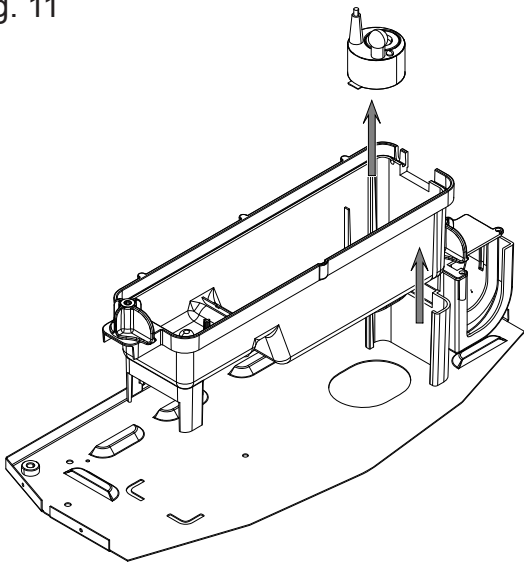


Fig. 12

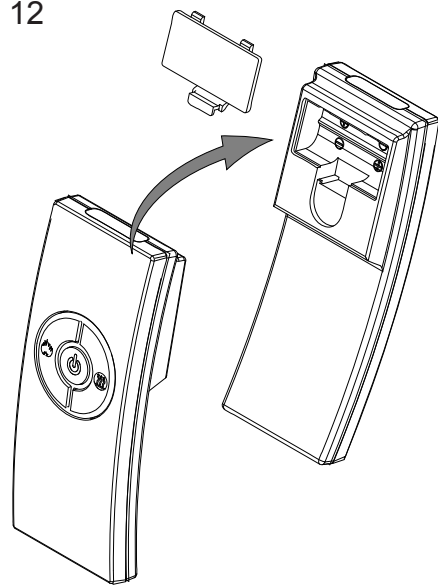


Fig. 13

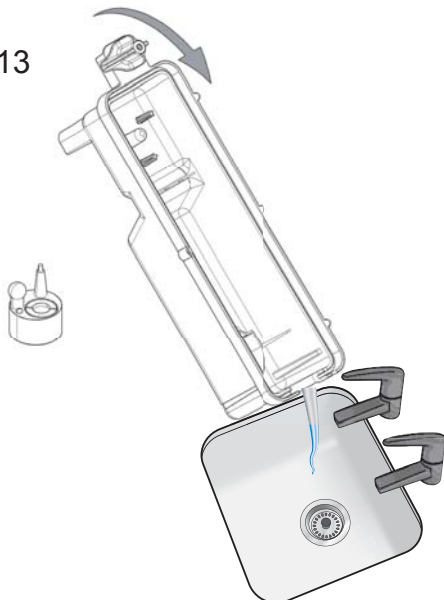


Fig. 14

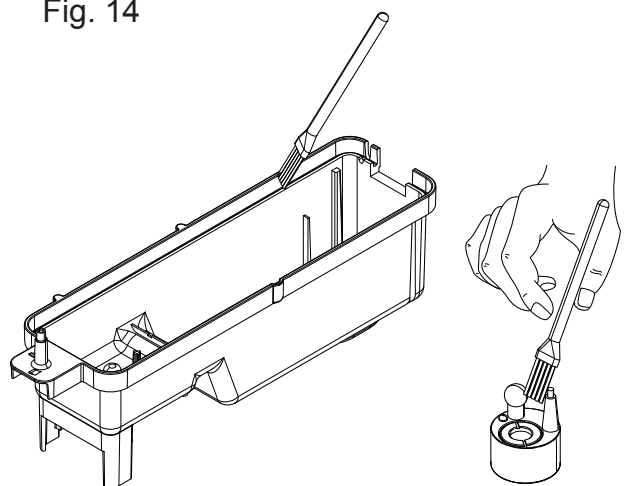


Fig. 15

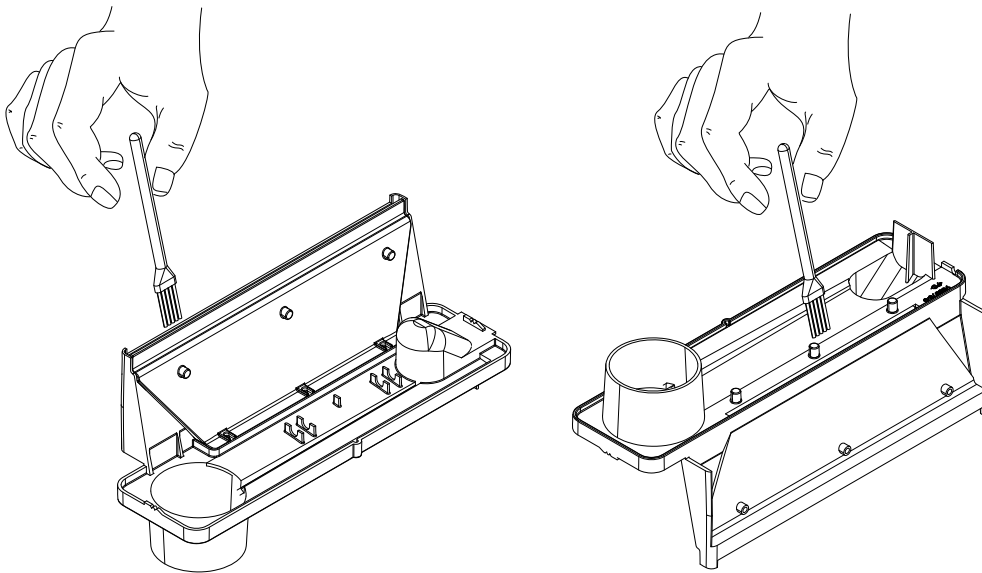


Fig. 16

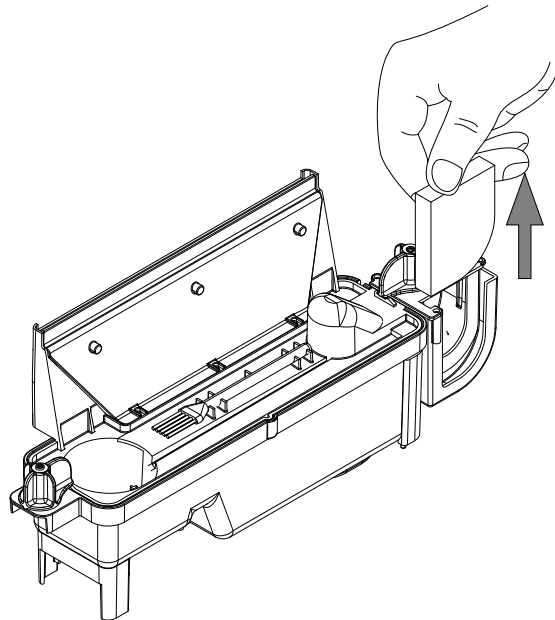
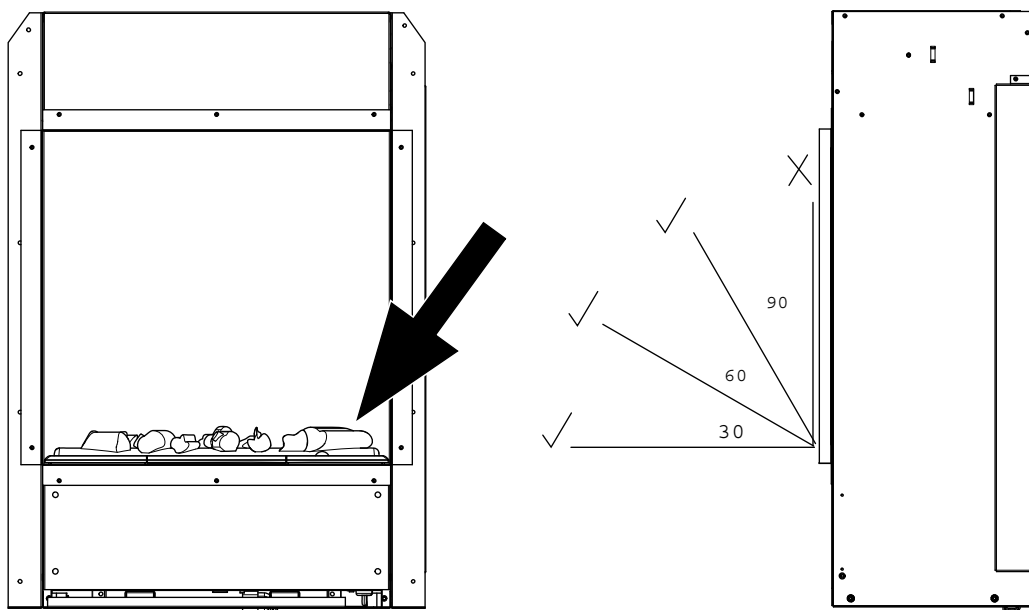


Fig. 17



UK .....	1
DE.....	7
FR .....	13
ES.....	19
PT .....	25
IT.....	30
NL.....	36
DK .....	42

## Introduction

Please read this information guide carefully to be able to safely install, use and maintain your product.

## Important Safety Advice

When using electrical appliances, basic precautions should always be followed to reduce the risk of fire, electrical shock and injury to persons, including the following:

### 1. OVERHEATING

**WARNING:** In order to avoid overheating, do not cover the heater. Do not place material or garments on the heater, or obstruct the air circulation around the heater. The heater carries a DO NOT COVER warning.

### 2. DAMAGE.

If the appliance is damaged, check with the supplier before installation and operation.

If the supply cord is damaged it must be replaced by the manufacturer or service agent or a similarly qualified person in order to avoid a hazard.

### 3. LOCATION

Do not use outdoors.

Do not use in the immediate surroundings of a bath, shower or swimming pool.

Do not locate the heater immediately below a fixed socket outlet or connection box.

Ensure that furniture, curtains or other combustible material are positioned no closer than 1 metre from the heater.

Although this heater conforms with safety standards, we do not recommend its use on deep pile carpets or on long hair type of rugs.

### 4. PLUG POSITIONING

The appliance must be positioned so that the plug is accessible.

Keep the supply cord away from the front of the heater.

### 5. USE OF OTHER CONTROLS

Do not use this heater in series with a thermal control, a program controller, a timer or any other device that switches on the heat automatically, since a fire risk exists when the heater is accidentally covered or displaced.

### 6. UNPLUGGING

In the event of a fault unplug the device.

Unplug the device when not required for long periods.

### 7. OWNER/USER

This appliance is not intended for use by children or persons with reduced physical, sensory or mental capabilities, or lack of experience and knowledge, unless they have been given supervision or instruction concerning use of the appliance by a person responsible for their safety. Children should be supervised to ensure that they do not play with the appliance.

### 8. ELECTRICITY

**WARNING – THIS APPLIANCE MUST BE EARTHED.**

This heater must be used on an AC ~ supply only and the voltage marked on the heater must correspond to the supply voltage.

Before switching on, please read the safety advice and operating instructions.

## General Information

Only use filtered water in this appliance.

Always ensure that the appliance is sitting on a level surface.

Although this heater complies with safety standards, we do not recommend its use on deep pile carpets or on long hair type of rugs.

Please note: Used in an environment where background noise is very low, it may be possible to hear a sound which is related to the operation of the flame effect. This is normal and should not be a cause for concern.

If this product experiences a power surge for whatever reason the product may cut-out. This is a normal safety feature and the product will resume operation after 30 seconds.

Once installed, never move this appliance or lay on its back, without draining the water from sump and water tank.

If you intend not using the appliance for longer than 2 weeks, drain the water from sump and water tank and dry the sump.

The water tank, sump, sump lid, tank cap and air filters must be cleaned once every two weeks, particularly in hard water areas.

The appliance should never be operated if the lamps are not working.

The lamps should be regularly inspected as described under 'Maintenance' and 'Changing lamps'.

The sump and the water tank in this product are treated with a biocidal product, Silver Biocide. This conforms with the latest relevant ISO standard

## Installation Instructions

This section describes how to set up your fire.

### BEFORE YOU START

1. Ensure that all packing items are removed (read any warning labels carefully) and retain all packing for possible future use e.g. in the event of moving house or returning the appliance to your supplier.
2. Before connecting the appliance, check that the supply voltage is the same as that stated on the heater.

#### Connecting the Transducer Unit + Lamps

1. Release the two red tabs by turning them by 90 degrees (Fig 2)
2. Lift out the Sump Nozzle (Fig 3)
3. Insert lamps into lamp holders (Fig 4), carefully locating the pins into the holes (Fig 4a)
4. Push lamps firmly into place
5. Place the Transducer Unit into the sump and join the cable to the connector on the sump (Fig 5)
6. To ensure that the Transducer Unit is correctly placed in the sump, the tab on the Transducer Unit should be lined up with the moulded recess in the sump (Fig 5a).
7. Ensure that the cable is not placed above the disc on the Transducer Unit (Fig 5b). To prevent the cable becoming pinched between the nozzle and the sump, place the cable in the slot in the wall of the sump.
8. Replace the Sump Nozzle and secure it by turning the two red tabs by 90 degrees (Fig 6)

#### Filling the Water Tank

9. Place Water Tank in sink and remove cap (turn anti-clockwise to open) (Fig 7)
10. Fill Water Tank with **filtered tap water only**. This is necessary to prolong the life of the flame and smoke producing unit. The water should be filtered through a conventional domestic water filter unit and the filter should be replaced regularly. Distilled water must **not** be used.
11. Screw the cap back on – **do not overtighten**.
12. Place the Water Tank in the Sump, with the tank cap facing down and the flat side of the tank facing outward (Fig 8)

#### Assembling the fire

13. Place the Fuelbed on top of the Water Tank and Mist Nozzle (Fig 9)

## Operating the Fire


This section describes how to activate your fire using either the manual controls or remote control.


### MANUAL CONTROLS


The manual controls are located beneath the hinged flap. (Fig.10 for Manual Control lay out)


Switch 'A':- Controls the electricity supply to the Fire.


Note: This switch must be in the 'ON' ( I ) position for the Fire to operate either with or without heat.

Switch 'B':- Press  once to turn on the flame effect. This will be indicated by an audible beep. Although the main lights operate immediately it will take a further 30 seconds before the flame effect starts.

Press  again to give flame effect and half heat. This will be indicated by two beeps.

Press  again to give flame effect and full heat. This will be indicated by three beeps.

Press  again to return to flame effect only. This will be indicated by one beep.

Press  to put fire in to standby mode. This will be indicated by one beep.

Control Knob 'C':- Controls the Thermostat setting.

Turning the control knob to the left will decrease the temperature setting, turning the control knob to the right will increase the temperature setting.

Control Knob 'D':- Controls the intensity of the flame effect.

Turning the control knob to the left increases the flame effect, turning the control knob to the right will decrease the flame effect.

### SETTING THE THERMOSTAT

Ensure the fire is plugged in and switch it on to the full heat setting. Turn the Control Knob 'C' fully to the right (max temperature setting) to warm the room rapidly. When the room temperature has reached the desired level, turn the thermostat knob back slowly until you hear the thermostat just click off. The heater will then maintain the room temperature at the chosen level.



Note: Should your heater fail to come on when the thermostat is at a low setting, this may be due to the room temperature being higher than the thermostat setting

### THERMAL SAFETY CUT-OUT

A thermal safety cut-out is incorporated in the fan heater to prevent damage due to overheating. This can happen if the heat outlet was restricted in any way. If the cut-out operates, unplug the heater from the socket outlet and allow approximately 10 minutes before reconnecting. Before switching the heater back on remove any obstruction that may be restricting the heat outlet, then continue normal operation.


**Caution:** In order to avoid a hazard due to inadvertent resetting of the thermal cutout, this appliance must not be supplied through an external switching device, such as a timer, or connected to a switch that is regularly switched on and off by the utility.


### GETTING THE DESIRED FLAME EFFECT

1. The flame control knob 'D' (Fig.10) may be turned up or down to give a more realistic effect.
2. Generally the flames appear more realistic when the flame control is turned down.
3. Give the flame generator time to react to changes you may make.
4. The fire will use less water if the flame effect is set to a lower level.
5. Do not tilt or move the fire while there is water in the tank or sump.
6. Make sure that the fire is on a level floor.

### REMOTE CONTROL OPERATION

On the control panel, Switch A (Fig.10) must be in the 'ON' ( I ) position in order for the remote control to operate. There are 3 buttons on the remote control. (Fig.12) To operate correctly the remote must be pointed towards the front of the grate. (Fig 17). The remote control functions are as follows:

 Press once to turn on Flame effect only.  
This will be indicated by one beep.

 Press once to turn on Half Heat and Flame Effect.  
This will be indicated by two beeps.  
Press again to turn on Full Heat and Flame Effect.  
This will be indicated by three beeps.

 Standby  
This will be indicated by one beep.

## Maintenance

### GENERAL TIPS

Only use filtered tap water in this appliance.

Always ensure that the appliance is sitting on a level surface.

If you intend not using the appliance for longer than 2 weeks, remove and empty the sump and water tank.

Once installed, never move this appliance or lay on its back, without draining the water from sump and water tank.

The appliance should never be operated if the lamps are not working.

The lamps should be regularly inspected as described under 'Changing lamps'.

### FILLING THE WATER TANK

When the water tank is empty, the flame and smoke effect shuts off and you will hear 2 audible beeps, follow these steps.

1. Press Switch 'A' to (0) (Fig.10)
2. Gently lift out the fuelbed and carefully set aside.
3. Remove the water tank by lifting upwards and outwards.
4. Place the water tank in sink and remove cap, Anti-clockwise to open. (Fig 7)
5. Fill tank with **filtered tap water only**. This is necessary to prolong the life of the flame and smoke producing unit. The water should be filtered through a conventional domestic water filter unit and the filter should be replaced regularly.
6. Screw the cap back on, do not over tighten.
7. Return the tank to the sump, with the tank cap facing down and the flat side of the tank facing outward. (Fig 8)
8. Gently place the fuelbed back into position. (Fig 9)
9. Press Switch 'A' to 'ON' (I) position (Fig.10)

### CHANGING LAMPS

If the flame and smoke effect appears grey or colourless it may be that one or more lamps have failed.

You can check for lamp failure as follows.

1. Leaving the flame effect on, lift out the fuelbed and water tank.
  2. It should be possible to view the lamps with the nozzle in place and observe which one needs to be changed.
  3. Put Switch 'A' in the 'OFF' position, and unplug the fire from the mains.
  4. Leave the appliance for 20 minutes to allow the lamps to cool down before removing them.
  5. Remove the sump as described in the Cleaning Section.
  6. Remove the defective lamp, by gently lifting vertically and disengaging the pins from the lamp holder, (Fig.4 and 4a).
- Replace with an OPTIMYST, 12V, 45W, Gu5.3 base, 8° beam angle, coloured lamp. (Purchased from our your supplier)
7. Carefully insert the two pins of the new lamp into the two holes in the lamp holder. Push firmly in place. (Fig.4 and 4a).
  8. Replace the sump, nozzle, water tank and fuelbed.

## **CLEANING**

**Warning** – Always press Switch 'A' to the 'OFF' (0) position (Fig.10) and disconnect from the power supply before cleaning the fire.

We recommend cleaning the following components once every 2 weeks, particularly in hard water areas:-  
Water Tank, Sump, Nozzle, Tank cap and seal, Air filter.

For general cleaning use a soft clean duster – never use abrasive cleaners.

To remove any accumulation of dust or fluff the soft brush attachment of a vacuum cleaner should occasionally be used to clean the outlet grille of the fan heater.

### **Water tank**

1. Remove water tank, as described earlier, put into sink and empty water.
2. Using the supplied brush gently rub the inside surfaces of the cap paying particular attention to the rubber ring in the outer groove and the centre rubber seal.
3. Put a small quantity of washing up liquid into the tank, refit the cap and shake well, rinse out until all traces of washing up liquid are gone.
4. Refill with filtered tap water only, replace the cap, do not overtighten.

### **Sump**

1. Press Switch 'A' to the 'OFF' (0) position
2. Gently lift out the fuelbed and place carefully on the ground.
3. Remove the water tank by lifting upwards.
4. Disconnect the electrical connector, located on the right side of the sump. (Fig.5) .
5. Release the right sump locking tabs by turning 90°. This allows the sump to be lifted completely from its location. (Fig. 11)
6. Gently lift up the sump, taking care to keep level so as not to spill any water. Sit the assembly in the sink.
7. Release the left sump locking tabs by turning 90°, then lift off the Nozzle. (Fig.3)
8. Lift out the transducer and carefully tilt, as shown, so that the liquid drains out of the sump. (Fig.13)
9. Put a small amount of washing up liquid into the sump, and using the supplied brush, gently clean all surfaces in the sump and gently clean the transducer including the metal discs located in the top grooved surface. (Fig.14)
10. When cleaned, thoroughly rinse the sump with clean water to remove all traces of washing up liquid.
11. Clean the Nozzle with the brush and flush out thoroughly with water. (Fig.15)
12. Reverse the above steps to reassemble.

### **Air filter**

1. Gently lift out the fuelbed and place carefully on the ground.
2. Gently slide the air filter upwards out of its plastic holder. (Fig.16)
3. Gently rinse with water in the sink and dry with fabric towel before returning.
4. Replace the filter making sure that the coarse black filter is facing the front of the fire.
5. Replace the fuelbed.

## Additional Information

### AFTER SALES SERVICE

Your product is guaranteed for two years from the date of purchase. Within this period, we undertake to repair or exchange this product free of charge (excluding lamps & subject to availability) provided it has been installed and operated in accordance with these instructions. Your rights under this guarantee are additional to your statutory rights, which in turn are not affected by this guarantee.

### RECYCLING



For electrical products sold within the European Community - At the end of the electrical products useful life it not be disposed of with household waste. Please recycle where facilities exist. Check with your Local Authority or retailer for recycling advice in your country.

### PATENT / PATENT APPLICATION

Products within the Optimyst range are protected by one or more of the following patents and patent applications:

Great Britain GB 2402206, GB 2460259, GB 2460453 , GB 2418014, GB 2465738, GB 2449925, GB 2465537 , GB 2455277 , GB1020534.2, GB1020537.5, GB1110987.3

United States US 7967690, US 2010299980, US 2011062250, US 2008028648, US 13/167,042

Russia RU2008140317

European EP 2029941, EP 2201301, EP 2315976, EP 1787063, EP07723217.1 , EP11170434.2, EP 11170435.9

China CN 101883953, CN 200980128666.2, CN 101057105, CN 101438104

Australia AU 2009248743, AU 2007224634

Canada CA 2725214, CA 2579444, CA 2645939

International Patent Application WO 2006027272

South Africa ZA 200808702

Mexico MX 2008011712

Korea KR 20080113235

Japan JP 2009529649

Brazil BR P10708894-9

India IN 4122/KOLNP/2008

New Zealand NZ 571900

## Troubleshooting

Symptom	Cause	Corrective Action
The flame effect will not start.	<p>Mains plug is not plugged in.</p> <p>Low water level.</p> <p>Low voltage connector not connected properly. (Fig.5)</p> <p>The Transducer Unit is not sitting correctly in the sump</p>	<p>Check plug is connected to wall socket correctly.</p> <p>Check that the water tank is full and there is water in the sump.</p> <p>Check that the connector is inserted correctly. (Fig.5)</p> <p>Ensure the Transducer is sitting down into the moulded recess in the sump</p>
The flame effect is too low.	<p>Flame effect control knob is set too low. (Fig.10)</p> <p>The Metal Disc in the transducer might be dirty (Fig.14)</p> <p>The wire from the Transducer Unit is sitting over the metal disc</p>	<p>Increase level of flame by turning Control knob 'D' to the left slowly. (Fig.10)</p> <p>Clean the Metal Disc with soft brush supplied. (Fig.14) See 'Maintenance.' for a step by step procedure.</p> <p>Direct the wire to the back of the sump and make sure it sits into the side slot exiting the sump.</p>
Unpleasant smell when unit is used.	<p>Dirty or stale water.</p> <p>Using unfiltered tap water.</p>	<p>Clean the unit as described under maintenance.</p> <p>Use only filtered tap water.</p>
The flame effect has too much smoke.	<p>Flame effect setting is too high.</p>	<p>Turn the flame effect Control knob 'D' to the right, about ¼ a turn, at a time. Give the flame generator some time to adjust to the new setting. (Fig.10)</p>
Main lamps are not working and there are no flames or smoke.	<p>There is no water in the water tank</p>	<p>Follow instructions under <b>Maintenance</b>, 'Filling the water tank'.</p> <p>Check the plug is connected to the wall socket correctly and that Switch 'A' Fig. 10 is in the 'ON' ( I ) position.</p>

## Einleitung

Bitte lesen Sie diese Hinweise für die sichere Inbetriebnahme, den Betrieb und die Wartung des Geräts sorgfältig durch.

## Wichtige Sicherheitshinweise

Beim Gebrauch von elektrischen Geräten sollten die grundlegenden Sicherheitsmaßnahmen immer befolgt werden, um das Risiko von Brandbildung, elektrischem Schock und Verletzungen zu minimieren. Das schließt Folgendes ein:

### 1. ÜBERHITZUNG

**ACHTUNG:** Um Überhitzungen zu vermeiden, darf das Heizgerät nicht zugedeckt werden. Keine Gegenstände oder Kleidungsstücke auf das Heizgerät legen und die Luftzirkulation um das Heizgerät herum nicht behindern.

Das Heizgerät verfügt über ein Warnschild mit dem Hinweis NICHT BEDECKEN.

### 2. SCHÄDEN.

Wenn das Gerät beschädigt ist, wenden Sie sich vor einer Installation und Inbetriebnahme an den Händler.

Wenn das Netzkabel beschädigt ist, muss es vom Hersteller, einer Kundendienstvertretung oder einer vergleichbar qualifizierten Person ausgetauscht werden, um Gefahren zu vermeiden.

### 3. STANDORT

Das Gerät darf nicht im Freien verwendet werden.

Nicht in unmittelbarer Nähe von Bädern, Duschen oder Schwimmbädern verwenden.

Das Heizgerät darf nicht unmittelbar unter einer Wandsteckdose oder einer Anschlussdose angebracht werden.

Möbel, Vorhänge und andere brennbare Stoffe dürfen sich nicht näher als 1 m vor dem Heizgerät befinden.

Zwar erfüllt das Heizgerät die Sicherheitsstandards, jedoch raten wir von einer Benutzung auf hochflorigen Fußbodenbelägen oder Teppichen ab.

### 4. STECKERPLATZIERUNG

Das Gerät muss so aufgestellt werden, dass der Netzstecker zugänglich ist.

Das Stromversorgungskabel nicht in der Nähe der Vorderseite des Heizgeräts verlegen.

### 5. VERWENDUNG ANDERER BEDIENELEMENTE

Das Heizgerät nicht zu einer Wärmeregulierung, einer Programmsteuerung, einer Zeitschaltuhr oder einem anderen Gerät in Reihe schalten, mit dem die Wärmequelle automatisch geschaltet wird. Bei versehentlicher Blockierung oder Verstellung des Heizgeräts besteht Brandgefahr.

### 6. NETZSTECKER ZIEHEN

Bei einem Fehler den Netzstecker des Geräts ziehen.

Netzstecker des Geräts ziehen, wenn es längere Zeit nicht benötigt wird.

### 7. BESITZER/ANWENDER

Dieses Gerät ist nicht dafür bestimmt, durch Personen, einschließlich Kinder, mit eingeschränkten physischen, sensorischen oder geistigen Fähigkeiten oder mit mangelnder Erfahrung und Wissen geeignet, es sei denn, sie werden durch eine für ihre Sicherheit zuständige Person beaufsichtigt oder erhalten von ihr Anweisungen, wie das Gerät zu benutzen ist. Kinder sind zu beaufsichtigen, um sicherzustellen, dass sie nicht mit dem Gerät spielen.

### 8. STROMANSCHLUSS

**WARNUNG – DIESES GERÄT MUSS GEERDET WERDEN.**

Das Heizgerät darf nur an eine Wechselstromversorgung angeschlossen werden. Die auf dem Gerät angegebene Spannung muss mit der Versorgungsspannung übereinstimmen.

Lesen Sie vor dem Einschalten die Sicherheitshinweise und die Bedienungsanleitung durch.

## Allgemeine Informationen

In diesem Gerät darf nur gefiltertes Leitungswasser verwendet werden.

Immer darauf achten, dass das Gerät auf ebenem Untergrund steht.

Zwar erfüllt das Heizgerät die Sicherheitsstandards, jedoch raten wir von einer Benutzung auf hochflorigen Fußbodenbelägen oder Teppichen ab.

Bitte beachten: Bei Verwendung in Umgebungen mit wenigen Hintergrundgeräuschen sind Betriebsgeräusche aufgrund des Flammeneffekts unter Umständen hörbar. Dies ist normal und kein Grund zur Beunruhigung.

Im Falle einer unerwarteten Überspannung wird das Gerät zur Sicherheit abgeschaltet. Diese Sicherheitsabschaltung ist normal und das Gerät wird sich nach 30 Sekunden wieder einschalten.

Nach der Installation darf dieses Gerät nicht transportiert oder auf die Rückseite gelegt werden, ohne zuvor das Wasser aus dem Sumpf und Wassertank abzulassen.

Falls das Gerät länger als 2 Wochen nicht benutzt wird, muss das Wasser aus dem Sumpf und Wassertank abgelassen und der Sumpf getrocknet werden.

Einmal alle zwei Wochen müssen der Wassertank, Sumpf, der Sumpfdeckel, Tankdeckel und die Luftfilter gereinigt werden, insbesondere in Regionen mit hartem Wasser.

Das Gerät darf auf keinen Fall in Betrieb gesetzt werden, wenn die Lampen nicht funktionieren.

Die Lampen sind wie unter „Wartung“ und „Lampenwechsel“ erläutert regelmäßig zu überprüfen.

Wanne und Wassertank dieses Produkts wurden mit dem Biozid-Produkt Silver Biocide behandelt. Dieses Produkt entspricht den aktuellsten ISO Richtlinien

## Installationsanleitung

Dieser Abschnitt erläutert die Einstellung des Elektrokamins.

### VOR INBETRIEBNAHME

1. Das Verpackungsmaterial von sämtlichen Teilen entfernen (eventuelle Aufkleber mit Warnhinweisen beachten). Das Verpackungsmaterial für spätere Zwecke aufbewahren, z. B. für einen Umzug oder für die Rücksendung an den Händler.
2. Vor dem Anschluss des elektrischen Geräts immer prüfen, ob die Versorgungsspannung mit den Angaben auf dem Heizgerät übereinstimmen.

#### Wandlereinheit und Lampen anschließen

1. Die beiden roten Krallen um 90° drehen (Abb. 2).
2. Sumpfdüse (Abb. 3) herausnehmen.
3. Setzen Sie die beiden Lampen in den Lampensockel ein (Abb. 4). Achten Sie dabei auf die Kontaktstifte (Abb. 4a).
4. Schieben Sie die Lampen bis zum Anschlag hinein.
5. Setzen Sie die Wandlereinheit in den Sumpf ein und verbinden die Kabel mit dem Sumpfanschluss (Abb. 5).
6. Um den korrekten Sitz der Wandlereinheit im Sumpf zu prüfen, muss der Griff auf der Wandlereinheit an der geformten Aussparung im Sumpf ausgerichtet sein (Abb 5a).
7. Stellen Sie sicher, dass das Kabel nicht oberhalb der Scheibe auf der Wandlereinheit geführt wird (Abb. 5b). Um ein Abknicken des Kabels zwischen Düse und Sumpf zu vermeiden, platzieren Sie das Kabel im Schlitz der Sumpfwand.
8. Tauschen Sie die Sumpfdüse aus und sichern Sie sie durch drehen der beiden roten Krallen um 90° (Abb. 6).

#### Wassertank auffüllen

9. Den Wassertank in ein Waschbecken legen und den Tankdeckel (gegen den Uhrzeigersinn) abschrauben (Abb. 7)
10. Wassertank nur mit **gefiltertem Leitungswasser füllen**.. Dadurch verlängert sich die Lebensdauer des Rauch- und Flammengenerators. Zum Filtern des Wassers sollte ein handelsüblicher Wasserfilter benutzt werden, der regelmäßig auszutauschen ist. Es darf kein destilliertes Wasser **verwendet** werden.
11. Den Deckel wieder festschrauben, **aber nicht überdrehen**.
12. Den Wassertank in den Sumpf einsetzen. Der Tankdeckel muss dabei nach unten und die flache Tankseite nach außen zeigen (Abb. 8).

#### Zusammenbau des Elektrokamins

13. Platzieren Sie das Feuerbett auf dem Wassertank und der Nebeldüse (Abb 9)

## Betrieb des Feuers


Dieser Abschnitt erläutert die Aktivierung des Elektrokamins mittels Fernbedienung oder manueller Steuerung.


### MANUELLE BEDIENELEMENTE


Die manuellen Bedienelemente befinden sich hinter der aufklappbaren Blende. (Anordnung der manuellen Bedienelemente, siehe Abb. 10).


Schalter „A“: Regelt die Energieversorgung zum Kamineinsatz.


Hinweis: Dieser Schalter muss auf „ON“ ( I ) stehen, um das Heizgerät mit oder ohne Heizfunktion zu betreiben.

Schalter „B“:  einmal drücken, um den Flammeneffekt einzuschalten. Dies wird durch Ausgabe eines Pieptons signalisiert. Zwar reagieren die Hauptleuchten sofort, allerdings dauert die Aktivierung des Flammeneffekts weitere 30 Sekunden.

Erneut  drücken, um Flammeneffekt und die halbe Heizleistung einzuschalten. Dies wird durch Ausgabe von zwei Pieptönen signalisiert.

Erneut  drücken, um Flammeneffekt und die volle Heizleistung einzuschalten. Dies wird durch Ausgabe von drei Pieptönen signalisiert.

Erneut  drücken, um wieder zum Flammeneffekt ohne Wärmeabgabe zurückzuschalten. Dies wird durch Ausgabe eines Pieptons signalisiert.

Erneut  drücken, um den Kamin auf Standby zu schalten. Dies wird durch Ausgabe eines Pieptons signalisiert.

Drehregler „C“: Dient zum Einstellen des Thermostats.

Durch Drehen des Reglers nach links wird eine niedrigere Temperatur und nach rechts eine höhere Temperatur am Thermostat eingestellt.

Drehregler „D“: Stellt die Stärke des Flammeneffekts ein.

Wird der Regler nach links gedreht, wird der Feuereffekt stärker und nach rechts wird die Flamme kleiner.

### THERMOSTAT EINSTELLEN

Der Netzstecker des Elektrokamins muss eingesteckt und das Gerät auf volle Heizleistung gestellt sein. Drehregler „C“ ganz nach rechts drehen (maximale Temperatureinstellung), um den Raum rasch zu erwärmen. Wenn die gewünschte Raumtemperatur erreicht ist, drehen Sie den Thermostatkopf langsam gegen den Uhrzeigersinn, bis ein Klick zu hören ist. Das Heizgerät hält dann die Raumtemperatur auf dem eingestellten Wert.

Hinweis: Wenn sich das Heizgerät bei niedrig eingestelltem Thermostat nicht einschaltet, liegt dies möglicherweise

daran, dass die Raumtemperatur höher als die Thermostateinstellung ist.

### **THERMALE SICHERHEITSABSCHALTUNG**

Um einen Defekt durch Überhitzung zu vermeiden, ist das Heizgebläse des Geräts mit einer Sicherheitsabschaltung ausgestattet. Das kann passieren, wenn der Wärmeauslass auf irgendeine Art blockiert wurde. Falls die Sicherheitsabschaltung einsetzt, ziehen Sie den Netzstecker des Heizgeräts aus der Steckdose, und warten Sie 10 Minuten, bevor Sie das Gerät wieder anschließen. Vor dem erneuten Einschalten des Heizgeräts sollten Blockaden beseitigt werden, durch die die Wärmeabgabe des Geräts verhindert wird. Anschließend kann der normale Betrieb wieder fortgesetzt werden.

**Vorsicht:** Zur Vermeidung von Gefahren durch versehentliches Rückstellen der Sicherheitsabschaltung bei Überhitzung darf dieses Gerät nicht über eine externe Schaltvorrichtung wie etwa eine Zeitschaltuhr mit Energie versorgt oder mit einem Schalter verbunden werden, der über die Vorrichtung regelmäßig ein- und ausgeschaltet wird.

### **EINSTELLEN DES GEWÜNSCHTEN FLAMMENEFFEKTS**

1. Für einen realistischen Flammeneffekt kann der Flammenregler „D“ (Abb. 10) höher oder niedriger eingestellt werden.
2. Die Flammen erscheinen realistischer, wenn der Flammenregler kleiner eingestellt wird.
3. Warten Sie einen Moment, bis der Flammengenerator auf die veränderte Flammenreglereinstellung reagiert hat.
4. Der Elektrokamin verbraucht bei einem kleiner eingestellten Flammeneffekt weniger Wasser.
5. Wenn sich Wasser im Tank oder Sumpf befindet, darf der Kamin nicht gekippt oder versetzt werden.
6. Der Elektrokamin muss auf einem ebenem Untergrund stehen.

### **BETRIEB MIT DER FERNBEDIENUNG**

Am Bedienfeld muss Schalter A (siehe Abb. 10) auf Position „ON“ (I) stehen, damit das Gerät über die Fernbedienung gesteuert werden kann.

Auf der Fernbedienung befinden sich 3 Tasten (Abb. 12). Zum korrekten Betrieb muss die Fernbedienung nach vorne in Richtung Kaminrost gehalten werden (Abb. 17). Die Fernbedienung besitzt folgende Funktionen:



Einmal drücken, um ausschließlich den Feuereffekt (ohne Wärmeabgabe) einzuschalten.  
Dies wird durch Ausgabe eines Pieptons signalisiert.



Einmal drücken, um die halbe Heizleistung und den Feuereffekt einzuschalten.

Dies wird durch Ausgabe von zwei Pieptönen signalisiert.

Noch einmal drücken, um die volle Heizleistung und den Flammeneffekt einzuschalten.

Dies wird durch Ausgabe von drei Pieptönen signalisiert.



Standby

Dies wird durch Ausgabe eines Pieptons signalisiert.

## **Wartung**

### **ALLGEMEINE HINWEISE**

In diesem Gerät darf nur gefiltertes Leitungswasser verwendet werden.

Immer darauf achten, dass das Gerät auf ebenem Untergrund steht.

Falls das Gerät länger als 2 Wochen nicht benutzt wird, muss das Wasser aus dem Sumpf und Wassertank abgelassen und der Sumpf getrocknet werden.

Nach der Installation darf dieses Gerät nicht transportiert oder auf die Rückseite gelegt werden, ohne zuvor das Wasser aus dem Sumpf und Wassertank abzulassen.

Das Gerät darf auf keinen Fall in Betrieb gesetzt werden, wenn die Lampen nicht funktionieren.

Die Lampen sind wie unter „Lampenwechsel“ erläutert regelmäßig zu überprüfen.

### **WASSERTANK AUFFÜLLEN**

Wenn der Wassertank leer ist, schaltet sich der Flammen- und Raucheffect ab und es ertönen 2 akustische Warnsignale.

1. Schalter „A“ auf **(0)** (Abb. 10).
2. Feuerbett vorsichtig herausheben und beiseite legen.
3. Den Wassertank nach oben aus dem Gerät herausheben.
4. Den Wassertank in ein Waschbecken legen und den Tankdeckel gegen den Uhrzeigersinn abschrauben. (Abb. 7).
5. Tank nur mit **gefiltertem Leitungswasser füllen**.. Dadurch verlängert sich die Lebensdauer des Rauch- und Flammengenerators.
6. Zum Filtern des Wassers sollte ein handelsüblicher Wasserfilter benutzt werden, der regelmäßig auszutauschen ist.
7. Den Deckel wieder festschrauben, aber nicht überdrehen.
8. Den Tank wieder in den Sumpf einsetzen. Der Tankdeckel muss dabei nach unten und die flache Tankseite nach außen zeigen. (Abb. 8).
9. Feuerbett vorsichtig wieder einsetzen. (Abb. 9).
10. Schalter „A“ auf „ON“ **(I)** (Abb. 10).

### **LAMPENWECHSEL**

Wenn der Flammen- und Raucheffect grau oder farblos erscheint, sind unter Umständen eine oder mehrere Lampen defekt. Die Lampen können Sie folgendermaßen auf Funktion prüfen:

1. Das Feuerbett und den Wassertank bei eingeschaltetem Flammeneffekt herausheben.
  2. Es sollte möglich sein, die Lampen mit angebrachter Düse zu betrachten, um festzustellen, welche Lampe ausgetauscht werden muss.
  3. Stellen Sie Schalter „A“ auf Position „OFF“ (AUS) und ziehen Sie den Netzstecker des Kamins aus der Steckdose.
  4. Lassen Sie das Gerät 20 Minuten lang ausgeschaltet, damit sich die Lampen vor dem Ausbau abkühlen können.
  5. Bauen Sie den Sumpf aus, wie im Abschnitt „Reinigung“ erläutert.
  6. Ziehen Sie die defekte Lampe mit den Kontaktstiften vorsichtig nach oben aus dem Lampensockel heraus (siehe Abb. 4 und 4a).
- Ersetzen Sie sie durch eine farbige OPTIMYST-Lampe 12 V, 45 W, Sockel Gu5.3. Leuchtwinkel 8° (Lampen erhalten Sie bei Ihrem Fachhändler).
7. Führen Sie die beiden Kontaktstifte der neuen Lampe in die beiden Öffnungen des Lampensockels ein und schieben Sie sie bis zum Anschlag hinein (siehe Abb. 4 und 4a).
  8. Sumpf, Düse, Wassertank und Feuerbett wieder anbringen.

## REINIGUNG

**Warnung** – Schalter „A“ immer auf „OFF“ (0) stellen (Abb. 10) und vor dem Reinigen des Elektrokamins das Gerät vom Stromnetz trennen.

Bei folgenden Teilen empfehlen wir eine regelmäßige Reinigung alle 2 Wochen, insbesondere in Regionen mit hartem Wasser:

Wassertank, Sumpf, Düse, Tankdeckel und -dichtung, Luftfilter.

Zum Reinigen allgemein immer ein weiches, sauberes Staubtuch benutzen, auf keinen Fall Scheuermittel verwenden. Um angesammelten Staub oder Flusen zu entfernen, kann gelegentlich ein Staubsauger mit weichem Bürstenaufsatz zum Reinigen des Auslassgitters des Lüftergebläses verwendet werden.

### Wassertank

1. Den Tank - wie zuvor erläutert - ausbauen, in ein Waschbecken legen und das Wasser ablassen.
2. Mit der beigegefügt Bürste die Innenflächen des Deckels sanft abbürsten. Dabei besonders den Gummiring in der Außennut und die Gummidichtung in der Mitte sauber bürsten.
3. Eine sparsame Menge Spülmittel in den Tank füllen, den Deckel festschrauben und gut schütteln. Das Spülmittel komplett wieder ausspülen, bis davon keine Spuren im Abwasser mehr zu sehen sind.
4. Ausschließlich mit gefiltertem Leitungswasser auffüllen, den Deckel wieder anbringen und nicht überdrehen.

### Sumpf

1. Schalter „A“ auf „OFF“ (0) stellen.
2. Feuerbett vorsichtig herausheben und auf den Boden legen.
3. Den Wassertank nach oben herausheben.
4. Den Stecker aus der Anschlussbuchse auf der linken Seite des Sumpfs ziehen (Abb. 5).
5. Die Sicherungskralen unten am Sumpf um 90° drehen. Der Sumpf kann nun komplett aus der Einbaulage herausgehoben werden (Abb. 11).
6. Den Sumpf vorsichtig und möglichst waagrecht herausheben, damit kein Wasser verschüttet wird. Das gesamte Bauteil in ein Waschbecken stellen.
7. Die beiden Sicherungskralen am linken Sumpf um 90° drehen und die Düse abnehmen (Abb. 3).
8. Den Wandler herausheben und vorsichtig seitlich kippen, damit die Flüssigkeit aus dem Sumpf ablaufen kann. (Abb. 13)
9. Etwas Spülmittel in den Sumpf füllen und mit der beigegefügt Bürste sämtliche Flächen im Sumpf und den Wandler sanft reinigen, auch die Metallscheiben, die in der Nut auf der Oberseite verlegt ist (Abb. 14).
10. Nach dem Reinigen den Sumpf mit klarem Wasser gründlich ausspülen, um alle Spülmittelrückstände zu beseitigen.
11. Die Düse mit der Bürste säubern und mit Wasser gründlich spülen (Abb. 15).
12. Beim Zusammenbau die obigen Schritte in umgekehrter Reihenfolge befolgen.

### Luftfilter

1. Feuerbett vorsichtig herausheben und auf den Boden legen.
2. Den Luftfilter vorsichtig nach oben aus seiner Kunststoffhalterung herausziehen (Abb. 16).
3. Vorsichtig mit Wasser im Waschbecken ausspülen und vor dem Einsetzen mit einem Handtuch abtrocknen.
4. Den Filter wieder einsetzen, dabei darauf achten, dass der grobe schwarze Filter in Richtung Vorderseite des Kamins zeigt.
5. Das Feuerbett wieder einsetzen.



## Weitere Informationen

### KUNDENDIENST

Ihr Produkt unterliegt einer Garantie von zwei Jahren ab dem Kaufdatum. Innerhalb dieses Zeitraums verpflichten wir uns, Reparaturen oder einen Gerätetausch kostenlos durchzuführen (ausgenommen Lampen und abhängig von der Verfügbarkeit), sofern gewährleistet ist, dass die vorliegenden Anweisungen bei der Installation und Bedienung beachtet wurden. Ihre Rechte gemäß dieser Gewährleistung gelten zusätzlich zu Ihren gesetzlichen Rechten, die von dieser Gewährleistung unberührt bleiben.

### RECYCLING



Für die Entsorgung dieses Heizgerätes gelten entsprechende Richtlinien für die Entsorgung von Elektroprodukten innerhalb der europäischen Gemeinschaft. Elektrogeräte dürfen am Ende ihrer Nutzungsdauer nicht im regulären Haushaltsmüll entsorgt werden. Sie müssen einer entsprechenden Recycling-Sammelstelle zugeführt werden. Entsprechende Hinweise zu Annahmestellen erhalten Sie bei der zuständigen lokalen Behörde oder Ihrem Fachhändler.

### PATENT/PATENTANMELDUNG

Produkte im Optimyst-Sortiment sind durch eines bzw. mehrere der nachfolgend aufgeführten Patente urheberrechtlich geschützt:

Großbritannien GB 2402206, GB 2460259, GB 2460453, GB 2418014, GB 2465738, GB 2449925, GB 2465537, GB 2455277, GB1020534.2, GB1020537.5, GB1110987.3

USA US 7967690, US 2010299980, US 2011062250, US 2008028648, US 13/167,042

Russland RU2008140317

Europa EP 2029941, EP 2201301, EP 2315976, EP 1787063, EP07723217.1 , EP11170434.2, EP 11170435.9

China CN 101883953, CN 200980128666.2, CN 101057105, CN 101438104

Australien AU 2009248743, AU 2007224634

Kanada CA 2725214, CA 2579444, CA 2645939

Internationale Patentanmeldung WO 2006027272

Südafrika ZA 200808702

Mexiko MX 2008011712

Korea KR 20080113235

Japan JP 2009529649

Brasilien - BR P10708894-9

Indien IN 4122/KOLNP/2008

Neuseeland NZ 571900

## Fehlerdiagnose

Symptom	Ursache	Abhilfe
Der Flammeneffekt lässt sich nicht einschalten.	<p>Netzstecker ist nicht angeschlossen.</p> <p>Wenig Wasser.</p> <p>Der Niederspannungsstecker ist nicht richtig angeschlossen (Abb. 5).</p> <p>Die Wandlereinheit sitzt nicht richtig im Sumpf.</p>	<p>Prüfen Sie, ob der Netzstecker richtig an die Steckdose angeschlossen ist.</p> <p>Prüfen Sie, ob der Wassertank gefüllt ist, und ob sich Wasser im Sumpf befindet.</p> <p>Prüfen Sie, ob der Stecker korrekt angeschlossen ist (Abb. 5).</p> <p>Sorgen Sie dafür, dass der Wandler richtig in der geformten Aussparung im Sumpf sitzt.</p>
Der Flammeneffekt arbeitet zu niedrig.	<p>Der Drehregler für den Flammeneffekt ist zu niedrig eingestellt (Abb. 10).</p> <p>Die Metallscheibe im Wandler ist evtl. verschmutzt (siehe Abb. 14).</p> <p>Die Leitung von der Wandlereinheit liegt über der Metallscheibe.</p>	<p>Den Drehregler „D“ langsam nach links drehen, um die Flammen höher zu stellen (Abb. 10).</p> <p>Die Metallscheibe mit der beigefügten weichen Bürste reinigen (siehe Abb. 14). Die schrittweise gegliederten Anweisungen finden Sie im Abschnitt „Wartung“.</p> <p>Die Leitung zur Rückseite des Sumpfs führen und darauf achten, dass sie im seitlichen Schlitz aus dem Sumpf austritt.</p>
Unangenehmer Geruch während des Betriebs.	<p>Verschmutztes oder abgestandenes Wasser.</p> <p>Es wird ungefiltertes Leitungswasser benutzt.</p>	<p>Das Gerät wie im Wartungsabschnitt erläutert reinigen.</p> <p>Nur gefiltertes Leitungswasser benutzen.</p>
Der Flammeneffekt stößt zu viel Rauch aus.	<p>Der Flammeneffekt ist zu stark eingestellt.</p>	<p>Den Drehregler „D“ für den Flammeneffekt langsam jeweils <math>\frac{1}{4}</math> nach rechts drehen. Warten Sie etwas, bis der Flammengenerator auf die neue Einstellung reagieren kann (Abb. 10).</p>
Die Hauptlampen leuchten nicht, und es sind weder Flammen noch Rauch zu sehen.	<p>Es ist kein Wasser im Tank.</p>	<p>Befolgen Sie die Anweisungen unter <b>Wartung</b> „Wassertank auffüllen“.</p> <p>Prüfen Sie, ob der Netzstecker richtig an die Steckdose angeschlossen ist und Schalter „A“ (Abb. 10) auf I).</p>

## Introduction

Veillez lire attentivement ce mode d'emploi afin d'installer, d'utiliser et d'entretenir votre produit en toute sécurité.

## Consignes de sécurité importantes

Lors de l'utilisation d'appareils électriques, veillez toujours à prendre des précautions élémentaires pour réduire les risques d'incendie, de choc électrique et de blessures corporelles, parmi lesquelles :

### 1. SURCHAUFFE

**AVERTISSEMENT :** Afin d'éviter toute surchauffe, ne couvrez pas l'appareil. Ne placez pas de matériaux ou de vêtements sur l'insert et n'entravez pas la circulation de l'air autour du chauffage. Le chauffage porte une étiquette de mise en garde NE PAS COUVRIR.

### 2. DOMMAGES.

Si l'appareil est endommagé, consultez le fournisseur avant de procéder à son installation et son utilisation.

Si le cordon d'alimentation est endommagé, il doit être remplacé par le fabricant, un réparateur ou toute personne suffisamment qualifiée afin d'écartier tout danger.

### 3. EMPLACEMENT

N'utilisez pas cet appareil en extérieur.

Ne l'utilisez pas à proximité immédiate d'une baignoire, d'une douche ou d'une piscine.

N'installez pas le chauffage juste en dessous d'une prise murale ou d'un boîtier de raccordement.

Assurez-vous que les meubles, les rideaux ou les autres matériaux combustibles sont placés à au moins 1 mètre du chauffage.

Bien que cet appareil de chauffage soit conforme aux normes de sécurité, nous vous recommandons de ne pas l'utiliser sur une moquette épaisse ou sur des tapis à poils longs.

### 4. EMPLACEMENT DE LA PRISE

L'appareil doit être placé de façon à rendre la prise accessible.

Tenez le cordon d'alimentation éloigné de l'avant du chauffage.

### 5. UTILISATION DES AUTRES COMMANDES

N'utilisez pas l'appareil de chauffage en série avec un régulateur thermique, un système de commande programmé, une minuterie ou tout autre dispositif déclenchant automatiquement de la chaleur, car il existe un risque d'incendie lorsque l'appareil de chauffage est accidentellement recouvert ou déplacé.

### 6. DÉBRANCHEMENT

En cas d'anomalie, débranchez l'appareil.

Débranchez l'appareil lorsqu'il n'est pas utilisé pendant une période prolongée.

### 7. PROPRIÉTAIRE/UTILISATEUR

Cet appareil n'est pas conçu pour être utilisé par des enfants ou des personnes ayant des capacités physiques, sensorielles ou mentales réduites, ou un manque d'expérience et de connaissance, sauf s'ils sont surveillés ou s'ils ont reçu des instructions concernant l'utilisation de l'appareil par une personne responsable de leur sécurité. Surveillez les enfants afin qu'ils ne jouent pas avec l'appareil.

### 8. ÉLECTRICITÉ

**AVERTISSEMENT :** CET APPAREIL DOIT ÊTRE RELIÉ À LA TERRE

Cet appareil de chauffage doit être utilisé en courant alternatif uniquement et la tension d'alimentation du secteur doit correspondre à la tension indiquée sur l'appareil.

Lisez attentivement les consignes de sécurité et les instructions d'utilisation avant de mettre l'appareil en marche.

## Informations générales

Utilisez uniquement de l'eau filtrée dans cet appareil.

Veillez toujours à ce que l'appareil repose sur un sol plat, de niveau.

Bien que cet appareil de chauffage soit conforme aux normes de sécurité, nous vous recommandons de ne pas l'utiliser sur une moquette épaisse ou sur des tapis à poils longs.

Remarque : l'effet flamme s'accompagne d'un son audible dans un environnement silencieux. Ce son est normal et ne doit pas être une source d'inquiétude.

Si, pour une raison quelconque, cet appareil subit une surtension, il se court-circuite. Il s'agit d'une caractéristique de sécurité normale et le produit reprendra son fonctionnement normal au bout de 30 secondes.

Une fois installé, veillez à ne jamais déplacer ni mettre cet appareil à plat sur le dos sans vidanger l'eau du bac et du réservoir d'eau.

Si vous prévoyez de ne pas utiliser l'appareil pendant plus de 2 semaines, vidangez l'eau du bac et du réservoir d'eau puis séchez le bac.

Le réservoir d'eau, le bac, le couvercle du bac, le bouchon du réservoir et les filtres à air doivent être nettoyés une fois toutes les deux semaines, en particulier dans les régions où l'eau est calcaire.

N'utilisez jamais l'appareil si les ampoules ne fonctionnent pas.

Contrôlez régulièrement les ampoules, comme décrit dans les chapitres « Entretien » et « Remplacement des ampoules ». Le carter et le réservoir d'eau de ce produit sont traités à l'aide d'un produit biocide, le Silver Biocide. Ceci est conforme à la dernière norme ISO applicable

## Instructions d'installation

Ce chapitre décrit l'installation de votre insert.

### AVANT DE COMMENCER

1. Veillez à retirer tous les éléments de l'emballage (lisez attentivement toutes les étiquettes d'avertissement) et conservez-les pour une utilisation future, par ex. en cas de déménagement ou de retour de l'appareil au fournisseur.
2. Avant de brancher l'appareil, vérifiez que la tension d'alimentation du secteur est identique à celle indiquée sur le chauffage.

#### Raccordement du transducteur et des ampoules

1. Détachez les deux languettes rouges en les tournant à 90 degrés (Fig. 2).
2. Soulevez l'embout du bac (Fig. 3).
3. Insérez les ampoules dans leurs supports (Fig. 4), en rentrant doucement les broches dans les orifices (Fig. 4a).
4. Poussez fermement les ampoules pour les mettre en place.
5. Placez le transducteur dans le bac, et raccordez le câble au connecteur du bac (Fig. 5).
6. Pour vous assurer que le transducteur est correctement placé dans le bac, la languette se trouvant sur le transducteur doit être aligné avec l'alvéole du bac (Fig. 5a).
7. Assurez-vous que le câble ne se trouve pas au-dessus du disque du transducteur (Fig. 5b). Afin d'éviter que le câble ne se coince entre l'embout et le bac, placez-le dans la fente située sur la paroi du bac.
8. Remettez l'embout du bac en place et fixez-le en tournant les deux languettes rouges à 90 degrés (Fig. 6).

#### Remplissage du réservoir d'eau

9. Placez le réservoir d'eau dans un évier et retirez le bouchon (tournez-le vers la gauche pour l'ouvrir) (Fig. 7).
10. Remplissez le réservoir d'eau **avec de l'eau du robinet filtrée uniquement**. En respectant cette consigne, la durée de vie du générateur de flammes et de fumée pourra être prolongée. L'eau doit être filtrée au moyen d'un appareil domestique de filtrage conventionnel et le filtre doit être changé régulièrement. N'utilisez **pas** d'eau distillée.
11. Revissez le bouchon **sans trop le serrer**.
12. Placez le réservoir d'eau dans le bac, en orientant le bouchon du réservoir vers le bas et le côté plat du réservoir vers l'extérieur (Fig. 8).

#### Montage de l'insert

13. Placez la couche de combustible au-dessus du réservoir d'eau et de l'embout du générateur de fumée (Fig. 9).

## Fonctionnement de l'insert


Ce chapitre décrit comment allumer votre insert en utilisant les commandes manuelles ou la télécommande.


### COMMANDES MANUELLES


Les commandes manuelles se trouvent sous le volet. (Voir Fig. 10 pour connaître la disposition des commandes manuelles.)


Interrupteur « A » : commande l'alimentation électrique de l'insert.

Remarque : Cet interrupteur doit être sur la position « MARCHE » ( I ) pour que l'appareil fonctionne en dégageant ou non de la chaleur.

Interrupteur « B » :- Appuyez une fois sur  pour allumer l'effet flamme. Un bip sonore retentit. Bien que les ampoules principales fonctionnent immédiatement, 30 secondes supplémentaires sont nécessaires pour que l'effet flamme démarre.

Appuyez à nouveau une fois sur  pour obtenir l'effet flamme et un chauffage moyen. Deux bips sonores retentissent.

Appuyez encore une fois sur  pour obtenir l'effet flamme et un chauffage fort. Trois bips sonores retentissent.

Appuyez une fois de plus sur  pour revenir à l'effet flamme seul. Un bip sonore retentit.

Appuyez une nouvelle fois sur  pour mettre l'insert en veille. Un bip sonore retentit.

Bouton « C » : commande le réglage du thermostat.

Tournez le bouton vers la gauche pour diminuer le réglage de la température, et tournez-le vers la droite pour augmenter le réglage de la température.

Bouton « D » : commande l'intensité de l'effet flamme.

Tournez ce bouton vers la gauche pour augmenter l'effet flamme, et tournez ce bouton vers la droite pour diminuer l'effet flamme.

### RÉGLAGE DU THERMOSTAT

Assurez-vous que l'insert est raccordé à une prise secteur, et réglez le chauffage sur la puissance maximale. Tournez complètement le bouton « C » vers la droite (réglage de température maximal) pour chauffer rapidement la pièce. Lorsque la pièce a atteint la température désirée, tournez le bouton du thermostat dans l'autre sens jusqu'à ce que vous entendiez un clic. La température de la pièce sera alors maintenue au niveau souhaité.

Remarque : Si le chauffage ne se déclenche pas lorsque le thermostat est réglé sur une température basse, cela peut signifier que la température de la pièce est déjà plus élevée que celle du thermostat.

## DISJONCTEUR THERMIQUE DE SÉCURITÉ

Un disjoncteur thermique est intégré au ventilateur pour prévenir les risques dus à une surchauffe. En effet, des dommages sont susceptibles de se produire si la sortie de l'insert est obstruée de quelque manière que ce soit. Si le disjoncteur se déclenche, débranchez l'appareil de la prise électrique et attendez environ 10 minutes avant de le rebrancher. Avant de rallumer l'appareil, éliminez toute obstruction susceptible de bloquer la sortie de chaleur, puis reprenez le fonctionnement normal.

**Attention :** Pour éviter les risques liés à la réinitialisation accidentelle du disjoncteur thermique, cet appareil ne doit pas être alimenté par un dispositif de commande externe, tel qu'une minuterie, ou branché à un interrupteur régulièrement mis hors et sous tension.

## OBTENTION DE L'EFFET FLAMME SOUHAITÉ

1. Le bouton de réglage des flammes « D » (Fig. 10) peut être utilisé pour donner un effet plus ou moins réaliste aux flammes.
2. En général, les flammes semblent plus réelles lorsque ce bouton est réglé sur une position basse.
3. Laissez au générateur de flammes le temps de réagir aux changements.
4. L'insert consommera moins d'eau si l'effet flamme est réglé sur un niveau bas.
5. N'inclinez ou ne déplacez pas l'insert tant qu'il y a de l'eau dans le réservoir ou le bac.
6. Veillez à ce que l'insert soit placé sur un sol plat et de niveau.

## FONCTIONNEMENT DE LA TÉLÉCOMMANDE

Sur le panneau de commande, l'interrupteur A (Fig. 10) doit être en position « MARCHE » ( I ) pour que la télécommande fonctionne.

La télécommande comporte 3 boutons. (Fig. 12). Pour fonctionner correctement, la télécommande doit être dirigée vers l'avant de la grille. (Fig. 17). Les fonctions de la télécommande sont les suivantes :



Appuyez une fois pour allumer l'effet flamme seul.  
Un bip sonore retentit.



Appuyez une fois pour obtenir une chaleur moyenne et l'effet flamme.  
Deux bips sonores retentissent.  
Appuyez de nouveau pour allumer le chauffage complet et l'effet flamme.  
Trois bips sonores retentissent.



Mode Veille  
Un bip sonore retentit.

## « Entretien »

### CONSEILS GÉNÉRAUX

Utilisez uniquement de l'eau du robinet filtrée dans cet appareil.

Veillez toujours à ce que l'appareil repose sur un sol plat, de niveau.

Si vous prévoyez de ne pas utiliser l'appareil pendant plus de 2 semaines, retirez et videz le bac et le réservoir d'eau. Une fois installé, veillez à ne jamais déplacer ni mettre cet appareil à plat sur le dos sans vidanger l'eau du bac et du réservoir d'eau.

N'utilisez jamais l'appareil si les ampoules ne fonctionnent pas.

Contrôlez régulièrement les ampoules, comme décrit dans le chapitre « Remplacement des ampoules ».

### REPLISSAGE DU RÉSERVOIR D'EAU

Lorsque le réservoir d'eau est vide, l'effet flamme et fumée s'arrête et 2 bips retentissent ; procédez alors comme suit :

1. Placez l'interrupteur « A » sur (0) (Fig. 10)
2. Soulevez doucement la couche de combustible et mettez-la de côté.
3. Retirez le réservoir d'eau en le soulevant vers le haut et vers l'extérieur.
4. Placez le réservoir d'eau dans l'évier et tournez le bouchon vers la gauche pour l'ouvrir. (Fig. 7)
5. Remplissez le réservoir **avec de l'eau du robinet filtrée uniquement**. En respectant cette consigne, la durée de vie du générateur de flammes et de fumée pourra être prolongée.

L'eau doit être filtrée au moyen d'un appareil domestique de filtrage conventionnel et le filtre doit être remplacé régulièrement.

6. Revissez le bouchon, sans trop le serrer.
7. Remettez le réservoir en place dans le bac, en orientant le bouchon du réservoir vers le bas et le côté plat du réservoir vers l'extérieur. (Fig. 8)
8. Remettez doucement la couche de combustible. (Fig. 9)
9. Placez l'interrupteur « A » sur la position « MARCHE » ( I ) (Fig. 10)

### REPLACEMENT DES AMPOULES

Si l'effet flamme et fumée devient gris ou incolore, il se peut qu'une ou plusieurs ampoules soient défectueuses.

Vérifiez l'état des ampoules de la manière suivante :

1. Tout en laissant l'effet flamme allumé, soulevez la couche de combustible et le réservoir d'eau.
2. Il est possible de voir les ampoules tandis que l'embout est en place et de déterminer laquelle doit être remplacée.
3. Mettez l'interrupteur « A » en position « ARRÊT » et débranchez l'appareil du secteur.

4. Attendez environ 20 minutes pour permettre aux ampoules de refroidir avant de les retirer.
5. Retirez le bac tel que décrit dans le chapitre « Nettoyage ».
6. Retirez l'ampoule défectueuse en la soulevant délicatement à la verticale et en sortant les broches du support (voir Figures 4 et 4a).  
Remplacez-la par une ampoule de couleur OPTIMYST de 12 V, de 45 W, avec une base Gu5.3 et un faisceau de 8 degrés. (Disponible chez votre revendeur.)
7. Insérez soigneusement les deux broches de l'ampoule neuve dans les deux orifices du support de l'ampoule. Poussez fermement sur l'ampoule pour la mettre en place (Figures 4 et 4a).
8. Remplacez le bac, l'embout, le réservoir d'eau et la couche de combustible.

## NETTOYAGE

**Avertissement** : Appuyez toujours sur l'interrupteur « A » pour le mettre sur la position « ARRÊT » (0) (Fig. 10) et débranchez l'appareil de l'alimentation secteur avant de le nettoyer.

Nous vous conseillons de nettoyer les éléments suivants une fois toutes les 2 semaines, en particulier dans les régions où l'eau est calcaire :

Réservoir d'eau, bac, embout, bouchon et joint du réservoir, filtre à air.

Pour un nettoyage régulier, utilisez un chiffon à poussière doux et n'utilisez jamais de produits nettoyants abrasifs. Utilisez la brosse douce d'un aspirateur de temps à autre pour nettoyer la grille du ventilateur et éliminer la poussière et les peluches qui se sont accumulées.

### Réservoir d'eau

1. Retirez le réservoir d'eau comme décrit précédemment, placez-le dans un évier et videz l'eau.
2. À l'aide de la brosse fournie, brossez doucement les surfaces intérieures du bouchon, en faisant particulièrement attention au joint en caoutchouc se trouvant dans la rainure extérieure et au centre du joint en caoutchouc.
3. Mettez une petite quantité de détergent dans le réservoir, remettez le bouchon en place et secouez bien. Rincez jusqu'à ce que toutes les traces de détergent disparaissent.
4. Remplissez avec de l'eau du robinet filtrée uniquement, remettez le bouchon en place sans trop serrer.

### Bac

1. Appuyez sur l'interrupteur « A » pour le mettre sur la position « ARRÊT » (0).
2. Soulevez doucement la couche de combustible et placez-la soigneusement sur le sol.
3. Retirez le réservoir d'eau en le soulevant vers le haut.
4. Débranchez le connecteur électrique placé sur la droite du bac (Fig. 5).
5. Libérez les languettes se trouvant à droite du bac en les tournant à 90 degrés. Cela vous permet de soulever complètement le bac de son emplacement (Fig. 11)
6. Soulevez délicatement le bac en veillant à le maintenir de niveau de façon à ne pas renverser l'eau. Placez l'ensemble dans l'évier.
7. Détachez les languettes gauches du bac en les tournant à 90°, puis soulevez l'embout (Fig. 3)
8. Soulevez le transducteur et inclinez-le délicatement, comme illustré, de façon à vidanger le bac (Fig. 13)
9. Placez une petite quantité de détergent dans le bac et, à l'aide de la brosse fournie, nettoyez délicatement toutes les surfaces et le transducteur, ainsi que les disques métalliques qui se trouvent dans la surface rainurée supérieure (Fig. 14)
10. Après nettoyage, rincez abondamment le bac à l'eau claire pour supprimer toute trace de détergent.
11. Nettoyez l'embout à l'aide de la brosse et rincez soigneusement avec de l'eau (Fig. 15).
12. Répétez les étapes ci-dessus dans l'ordre inverse pour remonter l'ensemble.

### Filtre à air

1. Soulevez doucement la couche de combustible et placez-la soigneusement sur le sol.
2. Faites coulisser délicatement le support en plastique du filtre à air vers le haut (Fig. 16).
3. Rincez-le soigneusement à l'eau dans l'évier et séchez-le avec une serviette en tissu avant de le remettre en place.
4. Remplacez le filtre en veillant à ce que la partie noire et épaisse soit tournée vers l'avant de l'insert.
5. Remplacez la couche de combustible.

## Informations supplémentaires

### SERVICE APRÈS-VENTE

Ce produit est garanti deux ans à partir de la date d'achat. Nous nous engageons pendant cette période à réparer ou échanger gratuitement cet appareil (à l'exception des ampoules et selon les disponibilités) s'il a été installé et utilisé conformément à ces instructions. Vos droits au titre de cette garantie s'ajoutent aux droits légaux qui ne sont pas modifiés par cette garantie.

### RECYCLAGE



Pour les produits électriques vendus au sein de la Communauté Européenne - À la fin de leur durée de vie, les produits électriques ne doivent pas être mis au rebut avec les ordures ménagères. Veillez à les recycler dans les endroits prévus à cet effet. Renseignez-vous auprès des autorités locales ou de votre revendeur pour toute question concernant le recyclage dans votre pays.

### BREVET / DEMANDE DE BREVET

Les produits de la gamme Optimyst sont protégés par un ou plusieurs brevets, nommément :

Grande-Bretagne GB 2402206, GB 2460259, GB 2460453, GB 2418014, GB 2465738, GB 2449925, GB 2465537, GB 2455277, GB1020534.2, GB1020537.5, GB1110987.3

États-Unis US 7967690, US 2010299980, US 2011062250, US 2008028648, US 13/167,042

Russie RU2008140317

Europe EP 2029941, EP 2201301, EP 2315976, EP 1787063, EP07723217.1, EP11170434.2, EP 11170435.9

Chine CN 101883953, CN 200980128666.2, CN 101057105, CN 101438104

Australie AU 2009248743, AU 2007224634

Canada CA 2725214, CA 2579444, CA 2645939

Demande de brevet international WO 2006027272

Afrique du Sud ZA 200808702

Mexique MX 2008011712

Corée KR 20080113235

Japon JP 2009529649

Brésil BR P10708894-9

Inde IN 4122/KOLNP/2008

Nouvelle-Zélande NZ 571900

## Dépannage

Problème	Cause	Action corrective
L'effet flamme ne démarre pas.	<p>Le câble d'alimentation n'est pas branché sur une prise secteur.</p> <p>Niveau d'eau faible.</p> <p>Le connecteur basse tension n'est pas branché correctement (Fig. 5).</p> <p>Le transducteur ne repose pas convenablement dans le bac.</p>	<p>Assurez-vous que le connecteur basse tension est correctement branché.</p> <p>Vérifiez que le réservoir d'eau est plein et qu'il y a de l'eau dans le bac.</p> <p>Vérifiez que le connecteur est inséré correctement (Fig. 5).</p> <p>Assurez-vous que le transducteur repose dans l'alvéole du bac.</p>
L'effet flamme est trop faible.	<p>Le bouton de réglage de l'effet flamme est réglé trop bas (Fig. 10).</p> <p>Le disque métallique du transducteur est peut-être sale (Fig. 14).</p> <p>Le câble du transducteur passe sur le disque métallique.</p>	<p>Augmentez le niveau des flammes en tournant lentement le bouton de réglage « D » vers la gauche. (Fig. 10)</p> <p>Nettoyez le disque métallique à l'aide de la brosse souple fournie (Fig. 14). Reportez-vous au chapitre « Entretien » pour connaître la procédure étape par étape.</p> <p>Faites passer le câble à l'arrière du bac et assurez-vous qu'il sorte du bac par la fente latérale.</p>
Une odeur désagréable se dégage lors de l'utilisation de l'appareil.	<p>Eau sale ou stagnante.</p> <p>Utilisation d'eau du robinet non filtrée.</p>	<p>Nettoyez l'appareil comme décrit dans le chapitre « Entretien ».</p> <p>Utilisez uniquement de l'eau du robinet filtrée.</p>
L'effet flamme produit trop de fumée.	L'effet flamme est réglé trop fort.	<p>Tournez le bouton « D » de l'effet flamme vers la droite, d'un quart de tour à la fois. Laissez au générateur de flammes le temps de se régler avant d'effectuer un nouveau réglage (Fig. 10).</p>
Les ampoules principales ne fonctionnent pas et il n'y a pas de flammes ni de fumée.	Il n'y a pas d'eau dans le réservoir.	<p>Suivez les instructions des chapitres « <b>Entretien</b> » et « Remplissage du réservoir d'eau ».</p> <p>Assurez-vous que le câble d'alimentation est branché et que l'interrupteur « A » de la figure 10 est sur la position « MARCHE » (I).</p>



## Introducción

Por favor, lea atentamente esta guía informativa para instalar, utilizar y mantener con seguridad su producto.

### Aviso de seguridad importante

Al utilizar aparatos eléctricos, deben adoptarse siempre algunas precauciones básicas para reducir el riesgo de incendio, descargas eléctricas y lesiones a las personas, como por ejemplo:

#### 1. SOBRECALENTAMIENTO

**ADVERTENCIA:** Para evitar sobrecalentamiento, no cubra la estufa. No deposite tejidos ni prendas sobre la estufa, ni obstruya la circulación del aire alrededor de ella. La estufa incorpora el aviso de NO CUBRIR.

#### 2. DAÑOS.

Si el aparato está dañado, consulte al proveedor antes de instalarlo y ponerlo en marcha.

Si el cable de alimentación está dañado, debe ser cambiado por el fabricante, un técnico o una persona debidamente cualificada para evitar cualquier peligro.

#### 3. UBICACIÓN

No lo utilice al aire libre.

No lo utilice cerca de un baño, una ducha o una piscina.

No coloque la estufa justo debajo de una toma de corriente o de una caja de conexiones.

Compruebe que mobiliario, cortinas u otros materiales combustibles están situados a más de 1 metro de distancia de la estufa.

Aunque esta estufa cumple con las normas de seguridad, no es aconsejable colocarla sobre alfombras muy mullidas o de pelo largo.

#### 4. POSICIÓN DEL ENCHUFE

Coloque el aparato de forma que el enchufe esté accesible.

Mantenga el cable de alimentación alejado de la parte delantera de la estufa.

#### 5. USO DE OTROS CONTROLES

No conecte esta estufa en serie con un control térmico, un programador, un temporizador ni con cualquier otro dispositivo que encienda la calefacción automáticamente, ya que existe riesgo de incendio si la estufa se cubre o se desplaza accidentalmente.

#### 6. DESCONEXIÓN

En caso de que se produzca un fallo, desenchufe el aparato.

Desenchufe el aparato, si no va a utilizarse durante mucho tiempo.

#### 7. PROPIETARIO / USUARIO

Este dispositivo no está diseñado para ser utilizado por niños o personas con capacidades físicas, sensoriales o mentales reducidas, o falta de experiencia y conocimiento, a menos que una persona responsable de su seguridad les supervise o instruya en el uso del aparato. Se debe vigilar a los niños para evitar que jueguen con el aparato.

#### 8. ELECTRICIDAD

**ADVERTENCIA:** ESTE APARATO DEBE CONECTARSE A TIERRA.

Este calefactor se debe conectar exclusivamente a una fuente de alimentación de CA, y la tensión indicada en el aparato debe coincidir con la tensión de alimentación.

Antes de encenderlo, lea atentamente las advertencias de seguridad y las instrucciones de uso.

## Información general

Use únicamente agua de grifo filtrada en este aparato.

Asegúrese siempre de que el aparato está apoyado en una superficie plana.

Aunque esta estufa cumple con las normas de seguridad, no es aconsejable colocarla sobre alfombras muy mullidas o de pelo largo.

Recuerde: si utiliza el aparato en un lugar muy silencioso, es posible que escuche un ruido debido al funcionamiento del efecto de llama. Esto es algo normal y no debe ser motivo de preocupación.

Si este producto sufre una subida de tensión por alguna razón, el producto puede desconectarse. Se trata de una función de seguridad normal y el producto reanuda el funcionamiento después de 30 segundos.

Una vez instalado, no mueva el aparato ni lo apoye sobre su parte posterior sin extraer el agua del sumidero y el depósito de agua.

Si no tiene previsto usar el aparato durante más de dos semanas, extraiga el agua del sumidero y el depósito de agua, y seque el sumidero.

El depósito de agua, el sumidero, la tapa del sumidero, la tapa del depósito y los filtros de aire se deben limpiar cada dos semanas, especialmente en zonas de agua dura.

No se debe hacer funcionar el aparato si las bombillas no se encienden.

Las bombillas se deben revisar con regularidad, tal como se describe en "Mantenimiento" y "Cambio de bombillas".

El sumidero y el depósito de agua de este producto se tratan con un producto biocida, Silver Biocide, que cumple la norma ISO correspondiente más reciente.

## Instrucciones de instalación

En esta sección se describe cómo configurar la chimenea.

### ANTES DE EMPEZAR

1. Asegúrese de retirar todos los elementos del embalaje (lea atentamente las etiquetas de advertencia) y guarde el embalaje para poder utilizarlo en el futuro, por ejemplo para trasladar o devolver el aparato al proveedor.
2. Antes de conectar el aparato compruebe que la tensión de la fuente de alimentación coincida con la indicada en la estufa.

#### Conexión de la unidad del transductor y las bombillas

1. Libere las dos lengüetas rojas girándolas 90 grados (Fig. 2).
2. Levante la boquilla de sumidero (Fig. 3).
3. Inserte las bombillas en los portalámparas (Fig. 4), localizando cuidadosamente las clavijas en los orificios (Fig. 4a).
4. Empuje firmemente las bombillas en su posición.
5. Coloque la unidad del transductor en el sumidero y una el cable al conector del sumidero (Fig. 5).
6. Para asegurarse de que la unidad del transductor está correctamente colocada en el sumidero, la pestaña de la unidad del transductor debe estar alineada con el hueco moldeado en el sumidero (Fig. 5a).
7. Asegúrese de que el cable no está colocado por encima del disco en la unidad de transductor (Fig. 5b). Para evitar que el cable quede pinzado entre la boquilla y el sumidero, coloque el cable en la ranura en la pared del sumidero.
8. Vuelva a colocar la boquilla del sumidero y asegúrela girando 90 grados las dos pestañas rojas (Fig. 6).

#### Llenado del depósito de agua

9. Coloque el depósito de agua en un fregadero y retire la tapa (gire hacia la izquierda para abrirla) (Fig. 7).
10. Llene el depósito solo con **agua del grifo filtrada**. Esto es necesario para prolongar la vida útil de la unidad de generación de la llama y el humo. El agua debe filtrarse con una unidad de filtración de agua convencional y el filtro debe sustituirse con regularidad. El agua destilada **no debe** utilizarse.
11. Vuelva a colocar la tapa. **No apriete excesivamente**.
12. Coloque el tanque de agua en el sumidero, con la tapa del depósito hacia abajo y el lado plano del depósito hacia fuera (Fig. 8).

#### Montaje de la chimenea

13. Coloque la base del combustible sobre el depósito de agua y la boquilla nebulizadora (Fig. 9).

## Uso de la chimenea


En esta sección se describe cómo activar la chimenea usando los controles manuales o el mando a distancia.


### CONTROLES MANUALES


Los controles manuales están situados debajo de la aleta basculante. (Para ver la distribución de los controles manuales, consulte la Fig. 10).


Interruptor "A": controla el suministro eléctrico a la chimenea.


Advertencia: Este interruptor debe estar en la posición "ENCENDIDO" ( I ) para que la chimenea pueda funcionar con o sin calor.

Interruptor "B": pulse  una vez para activar el efecto de llama. Escuchará una señal acústica. Aunque las luces principales se encenderán de inmediato, el efecto de llama tardará unos 30 segundos en empezar a funcionar.

Pulse  de nuevo para activar el efecto de llama y calor medio. Oirá dos señales acústicas.

Pulse  de nuevo para activar el efecto de llama y el calor máximo. Oirá tres señales acústicas.

Pulse  de nuevo para volver al efecto de llama únicamente. Oirá una señal acústica.

Pulse  para poner la chimenea en el modo de espera. Oirá una señal acústica.

Perilla de control "C": controla el ajuste del termostato.

Gire la perilla hacia la izquierda para reducir el ajuste de temperatura y hacia la derecha para aumentarlo.

Perilla de control "D": controla la intensidad del efecto de llama.

Gire la perilla hacia la izquierda para aumentar el efecto de llama, y hacia la derecha para reducirlo.

### AJUSTE DEL TERMOSTATO

Asegúrese de que la chimenea esté conectada y encienda la unidad con el ajuste de calor completo. Gire la perilla de control "C" hasta el tope hacia la derecha (temperatura máxima) para calentar rápidamente la habitación. Cuando la temperatura de la habitación sea la deseada, gire lentamente la perilla del termostato en sentido contrario hasta que el termostato haga clic y se apague. La estufa mantendrá la temperatura de la habitación al nivel elegido.

Advertencia: si la estufa no se enciende cuando el termostato está en un ajuste bajo, puede que se deba al hecho de que la temperatura de la habitación es superior al ajuste del termostato.

### DISYUNTOR TÉRMICO DE SEGURIDAD

La estufa con ventilador incorpora un disyuntor térmico de seguridad para evitar daños por sobrecalentamiento. El recalentamiento puede producirse si se obstruye de cualquier modo la salida del calor. Si el disyuntor se activa, desenchufe la estufa de la toma de corriente y deje pasar al menos 10 minutos antes de volver a enchufarlo. Antes de volver a conectar la estufa, retire la obstrucción de la salida de calor y siga utilizando el aparato con normalidad. **Precaución:** para evitar que el disyuntor térmico del aparato se conecte accidentalmente, la alimentación no debe proceder de un dispositivo de conmutación externo, como puede ser un temporizador, y el aparato no debe estar conectado a un circuito activado y desactivado regularmente por la empresa proveedora del fluido eléctrico.

### OBTENCIÓN DEL EFECTO LLAMA DESEADO

1. La perilla de control de la llama "D" (Fig.10) puede subirse o bajarse para dar un efecto más real.
2. En general, la llama parece más real cuando se gira perilla de control de la llama hacia abajo.
3. Dé un tiempo al generador de la llama para que reaccione a los cambios realizados.
4. La chimenea consume menos agua si se establece el efecto de llama en un nivel inferior.
5. No incline ni mueva la chimenea mientras haya agua en el depósito o el sumidero.
6. Asegúrese de que la chimenea está firmemente apoyada sobre una superficie plana.

### FUNCIONAMIENTO DEL MANDO A DISTANCIA

En el panel de control, el interruptor A (consulte la Fig. 10) deberá estar en la posición de "ENCENDIDO" (I) para poder usar el mando a distancia.

El mando a distancia tiene tres botones (consulte la Fig.12). Para que funcione correctamente, el mando a distancia debe apuntarse hacia el frente de la rejilla (Fig 17). El mando a distancia incorpora las siguientes funciones:



Púlselo una vez para encender el efecto de llama únicamente.  
Oirá una señal acústica.



Púlselo una vez para activar el efecto Calor a medio rendimiento y Llama.  
Oirá dos señales acústicas.  
Vuelva a pulsar para activar el calor máximo y el efecto de llama.  
Oirá tres señales acústicas.



Modo de espera  
Oirá una señal acústica.

## Mantenimiento

### CONSEJOS GENERALES

Use únicamente agua de grifo filtrada en este aparato.

Asegúrese siempre de que el aparato está apoyado en una superficie plana.

Si no tiene previsto usar el aparato durante más de dos semanas, extraiga y vacíe el depósito y el sumidero.

Una vez instalado, no mueva el aparato ni lo apoye sobre su parte posterior sin extraer el agua del sumidero y el depósito de agua.

No se debe hacer funcionar el aparato si las bombillas no se encienden.

Las bombillas se deben revisar con regularidad, tal como se describe en "Cambio de bombillas".

### LLENADO DEL DEPÓSITO DE AGUA

Cuando el depósito de agua esté vacío, los efectos de llama y humo se detengan y escuche dos señales acústicas, proceda como sigue.

1. Coloque el interruptor "A" en **(0)** (Fig.10).
2. Saque con suavidad la base del combustible y colóquela cuidadosamente al lado.
3. Retire el depósito de agua levantándolo hacia arriba y extrayéndolo.
4. Coloque el depósito de agua en un fregadero y retire la tapa (gire hacia la izquierda para abrirla) (Fig. 7).
5. Llene el depósito solo con **agua del grifo filtrada**. Esto es necesario para prolongar la vida útil de la unidad de generación de la llama y el humo.

El agua debe filtrarse con una unidad de filtración de agua convencional y el filtro debe sustituirse con regularidad.

6. Vuelva a colocar la tapa sin apretar en exceso.
7. Vuelva a colocar el depósito en el sumidero, con la tapa del depósito hacia abajo y el lado plano hacia afuera (Fig. 8).
8. Vuelva a colocar con cuidado la base del combustible en su posición (Fig. 9).
9. Sitúe el interruptor "A" en la posición "ENCENDIDO" **(i)** (Fig.10).

### CAMBIO DE LAS BOMBILLAS

Si el humo parece gris o incoloro, es posible que se haya fundido una o varias bombillas.

Puede comprobar el estado de las bombillas de la siguiente manera.

1. Dejando encendido el efecto de llama, saque la base del combustible y el depósito de agua.
2. Deben poder verse las bombillas con la boquilla puesta en su lugar para comprobar cuáles deben cambiarse.
3. Sitúe el interruptor "A" en la posición "APAGADO" y desconecte la chimenea de la red.
4. Deje reposar el aparato durante 20 minutos para que las bombillas se enfríen antes de retirarlas.
5. Retire el sumidero tal como se describe en la sección Limpieza.
6. Retire la bombilla defectuosa levantándola suavemente en vertical y desenganchando las clavijas del portalámparas (consulte las Fig. 4 y 4a).  
Sustitúyala por una bombilla tintada OPTIMYST de 12 V, 45W, base Gu5.3, ángulo de haz de luz 8° (adquierala su proveedor).
7. Introduzca cuidadosamente las dos clavijas de la nueva bombilla en los dos orificios del portalámparas. Insértela con firmeza hasta que quede instalada (consulte las Fig. 4 y 4a).
8. Vuelva a colocar el sumidero, la boquilla, el depósito de agua y la base de combustible.

## LIMPIEZA

**Advertencia** Sitúe siempre el interruptor "A" en la posición "APAGADO" (0) (Fig. 10) y desconecte la alimentación de la chimenea antes de limpiarla.

Se recomienda limpiar los siguientes componentes cada 2 semanas, sobre todo en zonas de agua dura: depósito de agua, sumidero, junta, tapa y junta del depósito, filtro de agua.

Para la limpieza general, emplee una bayeta limpia y suave; nunca utilice productos de limpieza abrasivos.

Para eliminar las acumulaciones de polvo o pelusa en la rejilla de salida del calefactor puede utilizar ocasionalmente el cepillo más suave de la aspiradora.

### Depósito de agua

1. Retire el depósito de agua tal como se describe más arriba, colóquelo en el fregadero y vacíe el agua.
2. Limpie suavemente las superficies interiores de la tapa con el cepillo suministrado, y preste especial atención a la junta de goma de la ranura exterior y a la junta de goma del centro.
3. Coloque una pequeña cantidad de líquido para lavavajillas en el depósito, cierre la tapa y sacuda bien; aclare hasta que desaparezca todo vestigio del líquido lavavajillas.
4. Llene el depósito con agua del grifo filtrada únicamente y cierre la tapa sin apretar en exceso.

### Sumidero

1. Sitúe el interruptor "A" en la posición "APAGADO" (0).
2. Saque con suavidad la base del combustible y colóquela con cuidado en el suelo.
3. Retire el depósito de agua levantándolo hacia arriba.
4. Desenchufe el conector eléctrico, que se encuentra en la parte derecha del sumidero (Fig. 5).
5. Suelte las lengüetas de cierre situadas a la derecha del sumidero girándolas 90°. De este modo puede levantar por completo el sumidero de su ubicación (Fig. 11).
6. Levante con cuidado el sumidero, teniendo la precaución de mantenerlo horizontal para evitar que se derrame el líquido. Apoye el conjunto en el fregadero.
7. Suelte las lengüetas de cierre situadas a la izquierda del sumidero girándolas 90° y levante la boquilla (Fig. 3).
8. Levante el transductor e incline con cuidado, tal como se muestra, de manera que se vacíe el líquido del sumidero (Fig. 13).
9. Vierta una pequeña cantidad de líquido para lavavajillas en el sumidero y, con el cepillo suministrado, limpie suavemente todas las superficies y el transductor, incluidos los discos metálicos situados en la superficie ranurada superior (Fig. 14).
10. Una vez limpio, aclare exhaustivamente el sumidero con agua limpia para eliminar todos los vestigios de líquido para lavavajillas.
11. Limpie la boquilla con el cepillo y aclare bien con agua (Fig. 15).
12. Siga los pasos anteriores en sentido inverso para volver a montar el conjunto.

### Filtro de aire

1. Saque con suavidad la base del combustible y colóquela con cuidado en el suelo.
2. Deslice suavemente hacia arriba el filtro de aire sacándolo del soporte de plástico (Fig. 16).
3. Aclare con cuidado con agua en el fregadero y seque con un paño antes de volver a colocarlo.
4. Sustituya el filtro asegurándose de que el filtro negro grueso esté orientado hacia el frente de la chimenea.
5. Vuelva a colocar la base del combustible.

## Información adicional

### SERVICIO POSTVENTA

El producto está garantizado durante dos años a partir de la fecha de compra. Dentro de este periodo, nos comprometemos a reparar o cambiar este producto gratuitamente (excepto las bombillas, y sujeto a disponibilidad) siempre que se haya instalado y usado de acuerdo con estas instrucciones. Sus derechos bajo las condiciones de esta garantía no sustituyen a sus derechos establecidos por la ley, que a su vez no se ven afectados por los derechos establecidos en esta garantía.

### RECICLAJE



Para los productos eléctricos vendidos en la Comunidad Europea. Los productos eléctricos que han agotado su vida útil no deben desecharse junto con la basura doméstica. Entréguelos para su reciclado en instalaciones apropiadas. Consulte a las autoridades locales o su proveedor para obtener información acerca del reciclaje en su país.

### PATENTE / SOLICITUD DE PATENTE

Los productos de la gama Opti-myst están protegidos por una o varias de las siguientes patentes y solicitudes de patente:

Gran Bretaña GB 2402206, GB 2460259, GB 2460453 , GB 2418014, GB 2465738, GB 2449925, GB 2465537 , GB 2455277, GB1020534.2, GB1020537.5, GB1110987.3

Estados Unidos US 7967690, US 2010299980, US 2011062250, US 2008028648, US 13/167,042

Rusia RU 2008140317

Europa EP 2029941, EP 2201301, EP 2315976, EP 1787063, EP07723217.1 , EP11170434.2, EP 11170435.9

China CN 101883953, CN 200980128666.2, CN 101057105, CN 101438104

Australia AU 2009248743, AU 2007224634

Canadá CA 2725214, CA 2579444, CA 2645939

Solicitud de patente internacional WO 2006027272

Sudáfrica ZA 200808702

México MX 2008011712

Corea KR 20080113235

Japón JP 2009529649

Brasil BR P10708894-9

India IN 4122/KOLNP/2008

Nueva Zelanda NZ 571900

## Resolución de problemas

Síntoma	Causa	Acción correctiva
No se produce el efecto de llama.	<p>El cable de alimentación no está enchufado.</p> <p>Nivel de agua bajo.</p> <p>El conector de baja tensión no está enchufado correctamente (Fig.5).</p> <p>La unidad del transductor no está correctamente colocada en el sumidero.</p>	<p>Compruebe que el enchufe está correctamente conectado a la toma de corriente.</p> <p>Compruebe que el depósito de agua está lleno y que hay agua en el sumidero.</p> <p>Compruebe que el conector está correctamente insertado (Fig.5).</p> <p>Compruebe que el transductor esté bien apoyado en el encaje moldeado en el sumidero.</p>
El efecto de llama es muy bajo.	<p>La perilla de control del efecto de llama está en una posición demasiado baja (Fig.10).</p> <p>Es posible que el disco metálico del transductor esté sucio (consulte la Fig.14).</p> <p>El cable de la unidad del transductor está apoyado en el disco metálico.</p>	<p>Aumente el nivel de la llama girando lentamente la perilla de control "C" hacia la izquierda (Fig.10).</p> <p>Limpe el disco metálico con el cepillo suministrado (consulte la Fig.14). Para obtener información sobre el procedimiento detallado, consulte la sección "Mantenimiento".</p> <p>Dirija el cable a la parte posterior del sumidero y asegúrese de que se apoye en la ranura lateral que sale del sumidero.</p>
Cuando está en uso, la unidad despidе un olor desagradable.	<p>Agua sucia o estancada.</p> <p>Uso de agua del grifo sin filtrar.</p>	<p>Limpe la unidad tal como se describe en la sección de mantenimiento.</p> <p>Use únicamente agua de grifo filtrada.</p>
El efecto de llama tiene demasiado humo.	El ajuste del efecto de llama está demasiado alto.	Gire la perilla de control "D" de efecto de llama hacia la derecha, aproximadamente $\frac{1}{4}$ de vuelta cada vez. Dé un poco de tiempo al generador de llama para que se ajuste a la nueva posición (Fig.10).
Las bombillas principales no se encienden y no hay llamas ni humo.	No hay agua en el depósito de agua.	<p>Siga las instrucciones de <b>Mantenimiento</b>, "Llenado del depósito de agua".</p> <p>Compruebe que el enchufe esté conectado a la toma de corriente correctamente y que el interruptor "A" fig. 10 está en la posición "ENCENDIDO" (I).</p>

## Introdução

Leia este guia informativo atentamente para possibilitar uma instalação, utilização e manutenção do seu produto em segurança.

## Aviso de Segurança Importante

Quando usar aparelhos elétricos, deverá seguir sempre as precauções básicas de forma a reduzir o risco de incêndios, choques elétricos, incluindo as seguintes:

### 1. SOBREAQUECIMENTO

**AVISO:** De forma a evitar um sobreaquecimento, não cubra o aquecedor. Não coloque material nem peças de roupa no aquecedor, ou obstrua a circulação de ar à volta do aquecedor. O aquecedor possui um aviso NÃO COBRIR.

### 2. DANOS.

Se o aparelho estiver danificado, consulte o fornecedor antes de o instalar e colocar a funcionar.

Se o cabo de alimentação estiver danificado, este deverá ser substituído pelo fabricante, técnico de manutenção ou por pessoal qualificado, de modo a evitar quaisquer perigos.

### 3. LOCALIZAÇÃO

Não utilize o aparelho no exterior.

Não use perto de uma banheira, duche ou piscina.

Não coloque o aquecedor por baixo de uma tomada fixa ou caixa de ligação.

Certifique-se de que móveis, cortinas ou outro material combustível encontram-se posicionados a uma distância não inferior a 1 metro do aquecedor.

Apesar de este aquecedor cumprir todos os requisitos de segurança, não recomendamos a sua utilização em carpetes profundas ou em tapetes de pêlos compridos.

### 4. POSICIONAMENTO DA TOMADA

O aparelho deve ser colocado de modo a que a tomada fique acessível.

Mantenha o cabo de alimentação longe da parte frontal do aquecedor.

### 5. UTILIZAÇÃO DE OUTROS CONTROLOS

Não use este aquecedor ao mesmo tempo que um controlo termal, um controlador de programas, um temporizador ou qualquer outro dispositivo que altera o calor automaticamente, uma vez que existe um risco de incêndio quando o aquecedor é coberto ou deslocado acidentalmente.

### 6. DESLIGAR

No caso de uma falha, desligue o dispositivo.

Desligue o dispositivo quando não for usado durante longos períodos de tempo.

### 7. PROPRIETÁRIO/UTILIZADOR

Este aparelho não deve ser utilizado por crianças ou pessoas que apresentem capacidades físicas, sensoriais ou mentais reduzidas ou que não possuam os conhecimentos e a experiência necessários, exceto se as mesmas forem vigiadas e instruídas acerca da utilização do aparelho por uma pessoa responsável pela sua segurança. As crianças devem ser vigiadas para garantir que não brincam com o aparelho.

### 8. ELETRICIDADE

**AVISO – ESTE APARELHO DEVE SER LIGADO À TERRA.**

Este aquecedor deve ser utilizado apenas em CA e a tensão indicada no aquecedor deverá corresponder à tensão de alimentação.

Antes de ligar, leia todos os avisos de segurança e instruções de funcionamento.

## Informações Gerais

Utilize apenas água filtrada neste aparelho.

Certifique-se sempre de que o aparelho está colocado numa superfície nivelada.

Apesar de este aquecedor cumprir com todos os requisitos de segurança, não recomendamos a sua utilização em carpetes profundas ou em tapetes de pêlos compridos.

Tenha em atenção: Se o aparelho for utilizado num ambiente onde o ruído de fundo seja bastante baixo, é possível que ouça um som relacionado com o funcionamento do efeito chama. Isto é normal e não deve preocupar-se.

Se este produto for sujeito a um pico de corrente por algum motivo, o produto pode desligar-se. Esta função de segurança é normal e o produto voltará a funcionar após 30 segundos.

Uma vez instalado, não volte este aparelho nem o deite de costas, sem que tenha escoado a água do reservatório e do tanque.

Se tem intenções de não utilizar o aparelho por mais de 2 semanas, escoe a água do reservatório e do tanque e seque o reservatório.

O tanque de água, o reservatório, a tampa do reservatório, o tampão do tanque e os filtros do ar devem ser limpos de duas em duas semanas, especialmente em áreas de água pesada.

O aparelho nunca deve ser colocado em funcionamento se as lâmpadas não estiverem a funcionar.

As lâmpadas devem ser inspecionadas com regularidade, como descrito na secção “Manutenção” e “Trocar as lâmpadas”.

O colector e o depósito da água deste produto foram tratados com um produto biocida, o Silver Biocide. Isto está em conformidade com a norma ISO relevante

## Instruções de instalação

Esta secção descreve a forma de configurar a salamandra.

### ANTES DE COMEÇAR

1. Certifique-se de que retirou todos os itens da embalagem (leia cuidadosamente quaisquer etiquetas de aviso) e guarde a embalagem completa para utilização futura, em caso de mudança ou devolução ao seu fornecedor.
2. Antes de ligar o aparelho, verifique se a tensão de alimentação corresponde à indicada na salamandra.

#### Ligar a unidade do transdutor + lâmpadas

1. Solte as duas abas vermelhas rodando-as 90° (Fig 2)
2. Retire o bocal do reservatório (Fig 3)
3. Insira lâmpadas nos suportes das lâmpadas (Fig 4), localizando cuidadosamente os pinos nos orifícios (Fig 4a)
4. Pressione as lâmpadas com firmeza no respetivo local.
5. Coloque a unidade do transdutor no reservatório e ligue o cabo ao conector no reservatório (Fig 5)
6. Para garantir que a unidade do transdutor está colocada corretamente no reservatório, a aba na unidade do transdutor deve estar alinhada com a reentrância no reservatório (Fig 5a).
7. Certifique-se de que o cabo não está colocado acima do disco na unidade do transdutor (Fig 5b). Para evitar que o cabo fique entalado entre o bocal e o reservatório, coloque o cabo na ranhura na parede do reservatório.
8. Volte a colocar o bocal do reservatório e fixe-o rodando as duas abas vermelhas 90° (Fig 6)

#### Encher o tanque da água

9. Coloque o tanque da água no lava-louça e retire o tampão (rode no sentido oposto ao dos ponteiros do relógio para abrir) (Fig 7)
10. Encha o tanque da água **apenas com água da torneira filtrada**. Isto é necessário para prolongar o tempo de vida da chama e da unidade de produção de fumo. A água deve ser filtrada através de uma unidade doméstica convencional de filtragem de água e o filtro deve ser substituído regularmente. Não deve ser usada **água** destilada.
11. Volte a colocar o tampão – **sem apertar demasiado**.
12. Coloque o tanque da água no reservatório, com o tampão do tanque voltado para baixo e a superfície plana voltada para fora (Fig 8)

#### Montagem da salamandra

13. Coloque a camada de combustível no topo do tanque da água e bocal de condensação (Fig 9)

## Utilização da Salamandra


Esta secção descreve a forma de ativar a salamandra utilizando os controlos manuais ou o controlo remoto.


### CONTROLOS MANUAIS

Os controlos manuais estão localizados por baixo da aba articulada (Fig. 10 para a disposição dos Controlos manuais).

Interruptor “A” - Controla o fornecimento de electricidade à salamandra.

Nota: Este interruptor tem de estar na posição de ligado (I) para que a salamandra funcione com ou sem calor.

Interruptor “B”:- Pressione  uma vez para acionar o efeito chama. Isto será indicado por um sinal sonoro. Embora as luzes principais funcionem imediatamente, demora mais 30 segundos até iniciar o efeito chama.

Pressione  novamente para obter o efeito chama e metade do calor. Isto será indicado por dois sinais sonoros.

Pressione  novamente para obter o efeito chama e a totalidade do calor. Isto será indicado por três sinais sonoros.

Pressione  novamente para regressar apenas ao efeito chama. Isto será indicado por um sinal sonoro.

Pressione  para colocar a salamandra em modo de espera. Isto será indicado por um sinal sonoro.

Botão de controlo “C”:- Controla a opção do Termóstato.

Rodando o botão de controlo para a esquerda diminui a opção de temperatura, rodando o botão de controlo para a direita aumenta a opção de temperatura.

Botão de controlo “D”:- Controla a intensidade do efeito de chama.

Rodando o botão de controlo para a esquerda aumenta o efeito de chama, rodando o botão de controlo para a direita diminui o efeito chama.

### CONFIGURAÇÃO DO TERMÓSTATO

Certifique-se de que a salamandra está ligada e coloque-a na definição de totalidade do calor. Rode totalmente o botão de controlo “C” para a direita (definição de temperatura máxima) para aquecer a divisão rapidamente. Quando a divisão tiver alcançado o nível de temperatura desejado, rode o botão do termóstato para trás devagar até o termóstato se desligar com um clique. O aquecedor manterá a temperatura da divisão ao nível pretendido.

1. Deixando o efeito chama ligado, retire a camada de combustível e o tanque da água.
2. Deverá ser possível ver as lâmpadas com o bocal no local e observar qual delas necessita de ser trocada.
3. Coloque o Interruptor “A” na posição “Desligado” e desligue a salamandra da rede elétrica.



4. Não mexa no equipamento durante 20 minutos para permitir que as lâmpadas arrefeçam antes de as remover.
5. Remova o reservatório conforme descrito na secção Limpeza.
6. Remova a lâmpada defeituosa, levantando-a cuidadosamente na vertical e desencaixando os pinos do suporte da lâmpada, (Fig. 4 e 4a).  
Substitua por uma lâmpada colorida, com uma largura de feixe de 8°, base Gu5.3, 45 W, 12 V, OPTIMYST (Adquirida no seu fornecedor).
7. Insira cuidadosamente os dois pinos da lâmpada nova nos dois orifícios do suporte da lâmpada. Pressione com firmeza. (Fig.4 e 4a).
8. Volte a colocar o reservatório, o bocal, o tanque da água e a camada de combustível.

## **LIMPEZA**

**Aviso** – Pressione sempre o interruptor “A” para a posição de desligado (0) (Fig.10) e desligue da corrente elétrica antes de limpar a salamandra.

Recomendamos a limpeza dos seguintes componentes de duas em duas semanas, especialmente em áreas de água dura: tanque de água, reservatório, bocal, tampão do tanque e vedante, filtro de ar.

Para uma limpeza geral, utilize um espanador macio e limpo – nunca utilize detergentes abrasivos.

Para remover a acumulação de pó ou algodão, poderá utilizar a escova macia de um aspirador para limpar a grelha de saída do termoventilador.

### **Tanque da água**

1. Remova o tanque da água como descrito anteriormente, coloque-o no lava-louça e escoe a água.
2. Utilizando o pincel fornecido, esfregue cuidadosamente a superfície interior do tampão, prestando atenção em especial à anilha de borracha existente na ranhura exterior e ao vedante de borracha no centro.
3. Coloque uma pequena quantidade de líquido de lavagem no tanque, volte a colocar o tampão e agite bem, passe bem por água até que tenham desaparecido todos os vestígios do líquido de lavagem.
4. Volte a encher apenas com água da torneira filtrada, coloque o tampão, sem apertar demasiado.

### **Reservatório**

1. Pressione o interruptor “A” para a posição de desligado (0).
2. Levante suavemente a camada de combustível e deposite-a cuidadosamente no chão.
3. Remova o tanque da água levantando-o para cima.
4. Desligue a ficha elétrica localizada do lado direito do reservatório (Fig.5).
5. Solte as abas de bloqueio direitas do reservatório rodando-as 90°. Isto permite levantar o reservatório completamente da sua localização (Fig. 11).
6. Levante cuidadosamente o reservatório, tendo cuidado para o manter nivelado e não derramar água. Coloque o conjunto no lava-louça.
7. Solte as abas de bloqueio esquerdas do reservatório rodando-as 90° e retire o bocal (Fig.3).
8. Retire o transdutor e incline cuidadosamente, conforme apresentado, de forma a escoar o líquido do reservatório (Fig.13).
9. Coloque uma pequena quantidade de líquido de lavagem no reservatório e, utilizando o pincel fornecido, limpe suavemente todas as superfícies do reservatório e o transdutor incluindo os discos de metal e a superfície ranhurada do topo (Fig.14).
10. Quando estiver limpo, enxágue bem o reservatório com água limpa para remover todos os vestígios do líquido de lavagem.
11. Limpe o bocal com o pincel e passe bem por água (Fig.15).
12. Execute os passos acima descritos pela ordem inversa para voltar a montar.

### **Filtro de ar**

1. Levante suavemente a camada de combustível e deposite-a cuidadosamente no chão.
2. Faça deslizar suavemente o filtro do ar para fora do seu suporte de plástico (Fig.16).
3. Passe-o cuidadosamente por água no lava-louça e seque com um pano antes de voltar a montar.
4. Volte a montar o filtro, certificando-se de que o filtro preto está voltado para a frente da salamandra.
5. Volte a colocar a camada de combustível.

## Informações adicionais

### ASSISTÊNCIA PÓS-VENTA

A garantia do seu produto é válida durante dois anos a partir da data de compra. Durante este período, responsabilizamos pela reparação ou troca gratuita deste produto (excluindo lâmpadas e estando sujeito à disponibilidade), desde que este tenha sido instalado e utilizado de acordo com estas instruções. Os seus direitos ao abrigo desta garantia são adicionados aos seus direitos estatutários que, por sua vez, não são afetados por esta garantia.

### RECICLAGEM



Para produtos elétricos vendidos na Comunidade Europeia - Quando os produtos elétricos atingem o final da sua vida útil, não devem ser eliminados juntamente com o lixo doméstico. Faça a reciclagem nos locais apropriados. Contacte as autoridades locais ou o seu revendedor para obter mais informações sobre reciclagem no seu país.

### PATENTE / PEDIDO DE PATENTE

Os produtos da gama Optimyst estão protegidos por uma ou mais das seguintes patentes e pedidos de patentes:

Reino Unido: GB 2402206, GB 2460259, GB 2460453, GB 2418014, GB 2465738, GB 2449925, GB 2465537, GB 2455277, GB1020534.2, GB1020537.5, GB1110987.3

Estados Unidos: US 7967690, US 2010299980, US 2011062250, US 2008028648, US 13/167,042

Rússia: RU2008140317

Europa: EP 2029941, EP 2201301, EP 2315976, EP 1787063, EP07723217.1, EP11170434.2, EP 11170435.9

China: CN 101883953, CN 200980128666.2, CN 101057105, CN 101438104

Austrália: AU 2009248743, AU 2007224634

Canadá: CA 2725214, CA 2579444, CA 2645939

Pedido de patente internacional: WO 2006027272

África do Sul: ZA 200808702

México: MX 2008011712

Coreia: KR 20080113235

Japão: JP 2009529649

Brasil: BR P10708894-9

Índia: IN 4122/KOLNP/2008

Nova Zelândia: NZ 571900

## Resolução de problemas

Sintomas	Causa	Ação corretiva
O efeito chama não funciona.	<p>A tomada principal não está ligada.</p> <p>Nível da água baixo.</p> <p>A ficha elétrica de baixa tensão não está devidamente ligada (Fig.5).</p> <p>A unidade do transdutor não está devidamente colocada no reservatório.</p>	<p>Verifique se a ficha está ligada corretamente à tomada.</p> <p>Verifique se o tanque da água está cheio e se existe água no reservatório.</p> <p>Verifique se a ficha está inserida corretamente (Fig.5).</p> <p>Certifique-se de que o transdutor está assente na respetiva reentrância no reservatório.</p>
O efeito chama está muito fraco.	<p>O botão de controlo do efeito chama está regulado para um valor demasiado baixo (Fig.10).</p> <p>O disco de metal no transdutor pode estar sujo (Fig.14).</p> <p>O fio na unidade do transdutor está assente sobre o disco de metal.</p>	<p>Aumente o nível da chama rodando lentamente o botão de Controlo “D” para o lado esquerdo (Fig.10).</p> <p>Limpe o disco de metal com o pincel macio fornecido. (Fig. 14) Consulte a secção “Manutenção” para o procedimento passo-a-passo.</p> <p>Direcione o fio para a parte superior do reservatório e certifique-se de que assenta na ranhura lateral que sai do reservatório.</p>
Quando utiliza a unidade sente um cheiro desagradável.	<p>Água suja ou estagnada.</p> <p>Utilização de água da torneira não filtrada.</p>	<p>Limpe a unidade conforme descrito na secção de manutenção.</p> <p>Utilize apenas água da torneira filtrada.</p>
O efeito chama produz demasiado fumo.	A opção do efeito chama está demasiado elevada.	Rode o botão de controlo “D” do efeito de chama para a direita, cerca de ¼ de cada vez. Dê algum tempo ao gerador de chama para se ajustar à nova definição (Fig.10).
As lâmpadas principais não funcionam e não existem chamas ou fumo.	Não existe nenhuma água no tanque.	<p>Siga as instruções indicadas na secção <b>Manutenção</b>, “Encher o tanque da água”.</p> <p>Verifique se a ficha está ligada corretamente à tomada de parede e se o interruptor “A” (Fig. 10) está na posição “LIGADO” (I).</p>

## Introduzione

Leggere con attenzione la presente guida per poter installare, utilizzare e conservare il prodotto nella massima sicurezza.

## Istruzioni importanti per la sicurezza

Durante l'uso del prodotto adottare le misure di sicurezza valide per qualsiasi apparecchio elettrico, onde evitare incendi, scosse elettriche e infortuni ai presenti. Prestare particolare attenzione alle seguenti raccomandazioni:

### 1. SURRISCALDAMENTO

**AVVERTENZA:** non coprire la stufa onde evitarne il surriscaldamento. Non collocarvi sopra alcun oggetto o rivestimento, né ostacolare in alcun modo la circolazione dell'aria intorno all'unità. La stufa presenta il simbolo di avvertenza "NON COPRIRE".

### 2. DANNI

Se il prodotto risulta danneggiato, rivolgersi al fornitore prima di installarlo ed utilizzarlo.

In caso di danni al cavo di alimentazione, farlo sostituire dal produttore, da un tecnico dell'assistenza o da chiunque abbia le competenze necessarie a eseguire l'operazione in condizioni di sicurezza.

### 3. POSIZIONAMENTO

Non utilizzare l'unità all'aperto.

Non utilizzare l'unità nelle immediate vicinanze di bagni, docce o piscine.

Non installare la stufa direttamente sotto una presa di corrente o una centralina.

Non lasciare mobili, tende o altro materiale potenzialmente infiammabile a meno di 1 metro dall'unità.

Sebbene il prodotto sia conforme alle norme di sicurezza, se ne sconsiglia l'utilizzo su moquette o tappeti a pelo lungo.

### 4. POSIZIONAMENTO DELLA SPINA

Posizionare la stufa in modo che la spina sia facilmente raggiungibile.

Tenere il cavo di alimentazione lontano dalla parte anteriore della stufa.

### 5. UTILIZZO DI ALTRI COMANDI

Non utilizzare la stufa con un dispositivo di controllo termico, un controller di programma, un timer o qualsiasi altro dispositivo che accenda la stufa automaticamente, poiché, qualora questa venisse accidentalmente coperta o spostata, si potrebbero verificare incendi.

### 6. SCOLLEGAMENTO DELLA SPINA

In caso di guasti, scollegare l'apparecchio dalla presa di corrente.

Se si prevede di non utilizzare l'apparecchio per un certo periodo, scollegarlo dalla presa di corrente.

### 7. PROPRIETARIO / UTENTE

L'apparecchio non è destinato all'uso da parte di persone o bambini con ridotte capacità fisiche, sensoriali o mentali oppure di soggetti che non abbiano adeguate esperienze e conoscenze, al di fuori dei casi in cui vengano istruite sull'utilizzo della stufa o si trovino sotto la supervisione di una persona responsabile della loro sicurezza. Evitare che i bambini giochino con l'apparecchio.

### 8. CORRENTE ELETTRICA:

**AVVERTENZA – IL PRODOTTO DEVE ESSERE COLLEGATO A TERRA.**

Questa stufa deve essere alimentata solo a corrente alternata e la tensione indicata sul prodotto deve corrispondere alla tensione di rete.

Prima dell'accensione, leggere le avvertenze per la sicurezza e le istruzioni per il funzionamento.

## Informazioni generali

Usare esclusivamente acqua filtrata per questo apparecchio.

Accertarsi sempre che l'apparecchio appoggi su una superficie piana.

Sebbene il prodotto sia conforme alle norme di sicurezza, se ne sconsiglia l'utilizzo su moquette o tappeti a pelo lungo.

**Nota:** Se l'ambiente in cui viene usata la stufa è particolarmente silenzioso, è possibile percepire il rumore dell'effetto fiamma in funzione. Si tratta di un fenomeno del tutto normale che non deve suscitare preoccupazione.

In caso di sovratensione momentanea, qualunque ne sia il motivo, il prodotto si spegne automaticamente. Si tratta di una funzione di sicurezza: il prodotto si riattiverà dopo 30 secondi.

Una volta installato, non spostare l'apparecchio né appoggiarlo sul dorso senza aver vuotato la vasca di raccolta e il serbatoio dell'acqua.

Se si prevede di non utilizzare l'apparecchio per più di 2 settimane, vuotare la vasca di raccolta e il serbatoio dell'acqua e asciugare la vasca di raccolta.

Il serbatoio dell'acqua, la vasca di raccolta, il coperchio della vasca di raccolta, il tappo del serbatoio e i filtri dell'aria devono essere puliti una volta ogni due settimane, in particolare nelle zone con acqua dura.

L'apparecchio non deve mai essere messo in funzione se le lampadine non funzionano.

Le lampadine devono essere controllate regolarmente come descritto nella sezione "Manutenzione" e "Sostituzione delle lampadine".

La vaschetta ed il serbatoio dell'acqua di questo prodotto vengono trattati con un prodotto biocida, Silver Biocide. Ciò è conforme con il più recente standard ISO relativo

## Istruzioni per l'installazione

Questa sezione descrive come installare la stufa.

### PRIMA DI INIZIARE

1. Accertarsi di aver rimosso tutti gli elementi dell'imballaggio (leggere con attenzione le etichette di avvertenza) e conservarli per eventuale necessità futura, ad esempio in caso di trasloco o restituzione dell'apparecchio al fornitore.
2. Prima di collegare la stufa all'alimentazione, verificare che la tensione di rete corrisponda alla tensione indicata sul prodotto.

#### Installazione dell'Unità trasduttore e delle Lampadine

1. Sbloccare le due alette rosse, ruotandole di 90 gradi (Fig. 2).
2. Sollevare l'Ugello della Vasca di raccolta (Fig. 3).
3. Inserire le Lampadine nei portalamпада (Fig. 4), inserendo con attenzione i perni negli appositi alloggiamenti (Fig. 4a).
4. Spingere le Lampadine nella loro posizione.
5. Inserire l'Unità trasduttore nella vasca di raccolta e collegare il cavo al connettore presente sulla Vasca di raccolta (Fig. 5).
6. Per accertarsi che l'Unità trasduttore sia correttamente posizionata all'interno della Vasca di raccolta, l'aletta presente sull'Unità dovrà trovarsi allineata con il vano sagomato all'interno della Vasca (Fig. 5a).
7. Verificare che il cavo non si trovi al di sopra del disco dell'Unità trasduttore (Fig. 5b). Per evitare che il cavo possa impigliarsi tra l'Ugello e la Vasca, posizionare il cavo nell'incavo che si trova sulla parete della Vasca.
8. Sostituire l'Ugello della Vasca di raccolta ruotando le due alette rosse di 90 gradi (Fig. 6).

#### Riempimento del Serbatoio dell'acqua

9. Collocare il Serbatoio dell'acqua in un lavandino e rimuovere il tappo ruotandolo in senso antiorario (Fig. 7).
10. Riempire il Serbatoio dell'acqua esclusivamente con **acqua di rubinetto filtrata**. Questo è necessario per prolungare la vita dell'unità che produce fiamma e il fumo. L'acqua deve essere filtrata mediante un comune sistema di filtraggio dell'acqua domestica e il filtro deve essere sostituito regolarmente. Evitare categoricamente **di utilizzare** acqua distillata.
11. Riavvitare il tappo, ma **non stringere eccessivamente**.
12. Rimettere il Serbatoio nella Vasca di raccolta, con il tappo rivolto verso il basso e il lato piatto del Serbatoio rivolto verso l'esterno (Fig. 8).

#### Montaggio della stufa

13. Posizionare il Piano del combustibile al di sopra del Serbatoio dell'acqua e dell'Ugello del vapore (Fig. 9).

## Funzionamento del caminetto


Questa sezione descrive come installare il caminetto utilizzando i comandi manuali o il telecomando.


### COMANDI MANUALI


I comandi manuali sono collocati sotto lo sportellino a cerniera (Fig. 10 per la posizione dei comandi manuali).


Interruttore "A":- comanda l'alimentazione elettrica della stufa.


Nota: Questo interruttore deve essere in posizione "ON" (I) se si desidera utilizzare la stufa con o senza calore.

Interruttore "B":- premere  una volta per attivare l'effetto fiamma. L'attivazione viene segnalata dall'emissione di un beep. Sebbene le luci principali si attivino immediatamente, saranno necessari altri 30 secondi prima dell'avviamento dell'effetto fiamma.

Premere  nuovamente per impostare l'effetto fiamma e il riscaldamento medio. L'attivazione verrà indicata dall'emissione di due segnali acustici.

Premere  nuovamente per impostare l'effetto fiamma e il riscaldamento massimo. L'attivazione verrà segnalata dall'emissione di tre segnali acustici.

Premere  nuovamente per tornare al solo effetto fiamma. La nuova impostazione verrà segnalata dall'emissione di un beep.

Premere  per impostare la stufa in modalità standby. La nuova impostazione verrà segnalata dall'emissione di un beep.

Manopola di controllo "C" - comanda l'impostazione del termostato.

Ruotando la manopola di controllo verso sinistra, la temperatura diminuisce; ruotandola invece verso destra, la temperatura aumenta.

Manopola di controllo "D":- controlla l'intensità dell'effetto fiamma.

Ruotando la manopola di controllo verso sinistra, l'effetto fiamma aumenta; ruotandola invece verso destra, l'effetto fiamma diminuisce.

### IMPOSTAZIONE DEL TERMOSTATO

Accertarsi che la stufa sia collegata alla rete elettrica ed accenderla, impostandola alla massima potenza. Ruotare la manopola di controllo "C" completamente verso destra (impostazione max della temperatura), così da riscaldare rapidamente la stanza. Quando si è ottenuta la temperatura desiderata, girare la manopola del termostato in senso contrario finché non si sente scattare il termostato. La stufa mantiene la temperatura dell'ambiente al livello selezionato.

Nota: Se con il termostato impostato su un valore basso la stufa non si accende, è possibile che la temperatura dell'ambiente sia maggiore dell'impostazione del termostato.

### INTERRUTTORI DI SICUREZZA TERMICI

L'aerotermo è dotato di un interruttore di sicurezza termico per la prevenzione di danni dovuti al surriscaldamento. Ciò può avvenire qualora l'emissione di aria calda venga in qualche modo ostacolata. Se scatta l'interruttore di sicurezza, scollegare la stufa dalla presa e attendere 10 minuti prima di ricollegarla. Prima di riaccendere la stufa rimuovere eventuali ostruzioni che possano occludere l'uscita dell'aria calda, quindi riprendere il normale funzionamento.

**Attenzione:** per evitare il rischio di una reimpostazione involontaria dell'interruttore di sicurezza, l'apparecchio non deve essere alimentato da un dispositivo di commutazione esterno, come ad esempio un timer, né deve essere collegato a un interruttore che viene regolarmente acceso e spento dalla compagnia che eroga l'elettricità.

### IMPOSTARE L'EFFETTO FIAMMA DESIDERATO

1. La manopola di controllo della fiamma "D" (Fig. 10) può essere ruotata verso l'alto o il basso per creare un effetto più realistico.
2. In genere le fiamme hanno un aspetto più realistico quando la manopola di controllo della fiamma è ruotata verso il basso.
3. Attendere qualche istante per consentire al generatore di fiamma di reagire alle modifiche impostate.
4. La stufa consuma meno acqua quando l'effetto fiamma è impostato ad un livello basso.
5. Non inclinare o spostare la stufa quando è presente dell'acqua nel serbatoio o nella vaschetta.
6. Accertarsi che la stufa sia collocata su una superficie piana.

### FUNZIONAMENTO DEL TELECOMANDO

Sul pannello di controllo, affinché il telecomando funzioni, l'interruttore A (Fig. 10) deve essere sulla posizione "ON" (I). Sul telecomando sono presenti 3 pulsanti (Fig. 12). Per poter funzionare correttamente, il telecomando deve essere puntato verso l'effetto di combustione anteriore (Fig. 17). Le funzioni del telecomando sono le seguenti:



Premere una volta per attivare solo l'effetto fiamma.  
La nuova impostazione verrà segnalata dall'emissione di un beep.



Premere una volta per attivare il riscaldamento medio e l'effetto fiamma.  
L'attivazione verrà indicata dall'emissione di due segnali acustici.  
Premere nuovamente per attivare il calore massimo e l'effetto fiamma.  
L'attivazione verrà segnalata dall'emissione di tre segnali acustici.



Standby  
La nuova impostazione verrà segnalata dall'emissione di un beep.

## Manutenzione

### SUGGERIMENTI

Usare esclusivamente acqua di rubinetto filtrata per questo apparecchio.

Accertarsi sempre che l'apparecchio appoggi su una superficie piana.

Se si prevede di non utilizzare l'apparecchio per più di 2 settimane, rimuovere e svuotare la Vasca di raccolta e il Serbatoio dell'acqua.

Una volta installato, non spostare l'apparecchio né appoggiarlo sul dorso senza aver vuotato la Vasca di raccolta e il Serbatoio dell'acqua.

L'apparecchio non deve mai essere messo in funzione se le lampadine non funzionano.

Le lampadine devono essere controllate regolarmente come descritto nella sezione "Sostituzione delle lampadine".

### RIEMPIMENTO DEL SERBATOIO DELL'ACQUA

Quando il serbatoio dell'acqua è vuoto, l'effetto fumo si interrompe e si avvertono due beep, attuare la seguente procedura.

1. Premere l'interruttore "A" su (0) (Fig. 10).
2. Sollevare delicatamente il Piano del combustibile e metterlo da parte facendo attenzione.
3. Rimuovere il Serbatoio dell'acqua sollevandolo verso l'alto e verso l'esterno.
4. Collocare il Serbatoio dell'acqua in un lavandino e rimuovere il tappo ruotandolo in senso antiorario (Fig. 7).
5. Riempire il Serbatoio con **acqua di rubinetto filtrata**. Questo è necessario per prolungare la vita dell'unità che produce la fiamma e il fumo.

L'acqua deve essere filtrata mediante un comune sistema di filtraggio dell'acqua domestica e il filtro deve essere sostituito regolarmente.

6. Riavvitare il tappo, senza stringere eccessivamente.

7. Rimettere il Serbatoio nella Vasca di raccolta, con il tappo rivolto verso il basso e il lato piatto del Serbatoio rivolto verso l'esterno (Fig. 8).

8. Rimettere delicatamente il Piano del combustibile in posizione (Fig. 9).

9. Portare l'interruttore "A" sulla posizione "ON" (I) (Fig. 10).

### SOSTITUZIONE DELLE LAMPADINE

Se la fiamma e l'effetto del fumo appaiono grigi o incolore, è possibile che una o più lampadine siano guaste.

Per verificare la presenza di lampadine guaste procedere come segue:

1. Lasciando l'effetto fiamma attivo, sollevare il Piano del combustibile e il Serbatoio dell'acqua.
2. Dovrebbe essere possibile vedere le lampadine con l'Ugello in posizione e individuare quella che deve essere sostituita.
3. Portare l'interruttore "A" in posizione "OFF" e scollegare la stufa dalla corrente.
4. Attendere 20 minuti per consentire alle lampadine di raffreddarsi prima di rimuoverle.
5. Rimuovere la Vasca di raccolta come descritto nella sezione Pulizia.
6. Rimuovere la lampadina guasta sollevandola delicatamente verso l'alto sganciando i perni dal portalamпада (Fig. 4 e 4a).

Sostituire con una lampadina colorata OPTIMYST, 12V, 45W, base Gu 5,3, angolo del raggio 8° (acquistabile in commercio presso un nostro rivenditore).

7. Inserire delicatamente i due perni della nuova lampadina nei due fori del portalamпада. Spingere saldamente in posizione (Fig. 4 e 4a).
8. Sostituire la Vasca di raccolta, l'Ugello, il Serbatoio dell'acqua e il Piano del combustibile.

## **PULIZIA**

**Avvertenza** - Portare sempre l'interruttore "A" sulla posizione "OFF" (0) (Fig. 10) e scollegare sempre l'alimentazione di rete prima di pulire la stufa.

Si raccomanda di pulire i seguenti componenti una volta ogni 2 settimane, in particolare nelle zone con acqua dura:- Serbatoio dell'acqua, Vasca di raccolta, Ugello, Tappo del serbatoio e Guarnizione, Filtro dell'aria.

Per pulire il corpo dell'unità, usare un panno morbido per la polvere; non utilizzare in alcun caso detersivi abrasivi. Per rimuovere l'accumulo di polvere o lanugine, pulire di tanto in tanto la griglia di mandata della ventola con l'accessorio a spazzola morbida di un aspirapolvere.

### **Serbatoio dell'acqua**

1. Rimuovere il Serbatoio dell'acqua come descritto prima, metterlo nel lavandino e vuotare l'acqua.
2. Usando la spazzola fornita, sfregare con delicatezza le superfici interne del tappo facendo particolare attenzione all'anello di gomma della scanalatura esterna e alla guarnizione in gomma centrale.
3. Mettere una piccola quantità di detersivo nel Serbatoio, chiudere con il tappo e agitare bene, quindi sciacquare finché non è stata rimossa ogni traccia di detersivo.
4. Riempire solo con acqua filtrata di rubinetto, rimettere il tappo, senza stringere eccessivamente.

### **Vasca di raccolta**

1. Portare l'interruttore "A" sulla posizione (0) "OFF".
2. Sollevare delicatamente il Piano del combustibile e metterlo a terra facendo attenzione.
3. Rimuovere il Serbatoio dell'acqua sollevandolo verso l'alto.
4. Scollegare il Connettore elettrico, situato sul lato posteriore della Vasca di raccolta (Fig. 5).
5. Sbloccare le alette di bloccaggio della Vasca di raccolta sulla destra eseguendo una rotazione a 90°. In questo modo la Vasca può essere completamente sollevata dalla sua posizione (Fig. 11).
6. Sollevare delicatamente il gruppo della Vasca di raccolta, facendo attenzione a non inclinarlo in modo da non far fuoriuscire l'acqua. Collocare il gruppo in un lavandino.
7. Sbloccare le alette di bloccaggio della Vasca di raccolta sulla sinistra eseguendo una rotazione a 90°, quindi aprire l'Ugello sollevandolo (Fig. 3).
8. Estrarre il Trasduttore e sollevare delicatamente, come mostrato in figura, in modo che il liquido fuoriesca dalla Vasca di raccolta (Fig. 13).
9. Versare una piccola quantità di detersivo nella Vasca di raccolta e usando la spazzola fornita, pulire delicatamente tutte le superfici nella Vasca, quindi pulire delicatamente il Trasduttore, compresi i Dischi di metallo situati nella superficie scanalata superiore (Fig. 14).
10. Una volta pulita, risciacquare accuratamente la Vasca di raccolta con acqua pulita per rimuovere tutte le tracce di detersivo.
11. Pulire l'Ugello con la spazzola quindi sciacquare accuratamente con acqua (Fig. 15).
12. Ripetere i passaggi sopra al contrario per rimontare il gruppo.

### **Filtro dell'aria**

1. Sollevare delicatamente il Piano del combustibile e metterlo a terra facendo attenzione.
2. Far scivolare delicatamente il Filtro dell'aria verso l'alto fino a farlo uscire dal portafiltro in plastica (Fig. 16).
3. Sciacquare delicatamente con acqua nel lavandino e asciugare con un panno di tessuto prima del riposizionamento.
4. Riposizionare il Filtro, accertandosi che il Filtro grosso nero sia rivolto verso il lato anteriore della stufa.
5. Riposizionare il Piano del combustibile.

## Informazioni supplementari

### SERVIZIO DI ASSISTENZA CLIENTI

Il prodotto è garantito per due anni a partire dalla data di acquisto. In questo arco di tempo ci impegniamo a riparare o sostituire il prodotto senza alcun addebito al cliente (salvo le lampadine e soggetto a disponibilità) purché sia stato installato e utilizzato in modo appropriato. I diritti riconosciuti dalla presente garanzia si aggiungono ai diritti di legge dell'acquirente, senza limitarli in alcun modo.

### RICICLAGGIO



Prodotti elettrici venduti all'interno della Comunità Europea - Al termine della durata operativa delle apparecchiature elettriche, il prodotto non deve essere smaltito con i rifiuti domestici. Devono invece essere smaltiti nelle apposite strutture. Per informazioni sui servizi di riciclo locali, rivolgersi all'amministrazione locale o al proprio rivenditore di fiducia.

### BREVETTO/DOMANDA DI BREVETTO

I prodotti della linea Optimyst sono tutelati da uno o più dei seguenti brevetti e richieste di brevetto:

Gran Bretagna: GB 2402206, GB 2460259, GB 2460453, GB 2418014, GB 2465738, GB 2449925, GB 2465537, GB 2455277, GB1020534.2, GB1020537.5, GB1110987.3

Stati Uniti: US 7967690, US 2010299980, US 2011062250, US 2008028648, US 13/167,042

Russia: RU2008140317

Europa: EP 2029941, EP 2201301, EP 2315976, EP 1787063, EP07723217.1, EP11170434.2, EP 11170435.9

Cina: CN 101883953, CN 200980128666.2, CN 101057105, CN 101438104

Australia: AU 2009248743, AU 2007224634

Canada: CA 2725214, CA 2579444, CA 2645939

Richiesta di brevetto internazionale WO 2006027272

Sud Africa: ZA 200808702

Messico: MX 2008011712

Corea: KR 20080113235

Giappone: JP 2009529649

Brasile: BR P10708894-9

India: IN 4122/KOLNP/2008

Nuova Zelanda: NZ 571900



## Risoluzione dei problemi

Sintomo	Causa	Azione correttiva
L'effetto fiamma non parte.	<p>Il cavo della corrente non è collegato.</p> <p>Basso livello dell'acqua.</p> <p>Il connettore a bassa tensione non è collegato correttamente (Fig. 5).</p> <p>L'Unità trasduttore non risiede correttamente nella Vasca di raccolta.</p>	<p>Verificare che la spina sia correttamente collegata alla presa della corrente.</p> <p>Verificare che il Serbatoio dell'acqua sia pieno e che sia presente dell'acqua nella Vasca di raccolta.</p> <p>Verificare che il connettore sia inserito correttamente (Fig. 5).</p> <p>Accertarsi che il Trasduttore risieda nel vano sagomato della Vasca di raccolta.</p>
L'effetto fiamma è troppo basso.	<p>La Manopola di controllo dell'effetto fiamma è posizionata su un livello troppo basso (Fig. 10).</p> <p>Il Disco in metallo del Trasduttore potrebbe essere sporco (Fig. 14).</p> <p>Il filo dell'Unità trasduttore è sopra al Disco di metallo.</p>	<p>Aumentare il livello della fiamma ruotando leggermente verso sinistra la Manopola di controllo "D" (Fig. 10).</p> <p>Pulire il Disco di metallo con la spazzola morbida in dotazione (Fig. 14). Vedere "Manutenzione" per una procedura passo per passo.</p> <p>Indirizzare il filo verso il retro della Vasca di raccolta e accertarsi che risieda nella scanalatura laterale che esce dalla vasca.</p>
Durante l'uso dell'unità si avverte un odore sgradevole.	<p>Acqua sporca o stagnante.</p> <p>È stata usata acqua di rubinetto non filtrata.</p>	<p>Pulire l'unità come descritto nella sezione Manutenzione.</p> <p>Usare solo acqua di rubinetto filtrata.</p>
L'effetto fiamma ha troppo fumo.	L'impostazione dell'effetto fiamma è troppo alta.	Ruotare la Manopola di controllo dell'effetto fiamma "D" in senso orario di circa ¼ di giro per volta. Dare al generatore di fiamma il tempo di regolarsi alla nuova impostazione (Fig. 10).
Le Lampadine principali non funzionano e non c'è né fiamma né fumo.	Non c'è acqua nel serbatoio.	<p>Seguire le istruzioni nella sezione <b>Manutenzione</b>, "Riempimento del Serbatoio dell'acqua".</p> <p>Verificare che la spina sia collegata correttamente alla presa e che l'Interruttore "A" Fig. 10 sia nella posizione "ON" (I).</p>

## Inleiding

Lees deze informatie aandachtig om uw product veilig te installeren, gebruiken en onderhouden.

## Belangrijke veiligheidsvoorschriften

Bij gebruik van elektrische apparaten moeten altijd bepaalde voorzorgsmaatregelen in acht worden genomen om het risico van brand, elektrische schok en letsel te verminderen. Dit betekent o.a.:

### 1. OVERVERHITTING

**WAARSCHUWING:** Dek de kachel nooit af om oververhitting te voorkomen. Plaats geen voorwerpen of kledingstukken op de kachel en zorg ervoor dat de luchtcirculatie rond de kachel niet wordt geblokkeerd. Op de verwarming bevindt er zich de waarschuwing "NIET BEDEKKEN".

### 2. SCHADE.

Raadpleeg de leverancier als de kachel is beschadigd voordat u deze installeert en gebruikt.

Als het netsnoer is beschadigd, dan moet dit door de fabrikant of een onderhoudsmonteur of een dergelijk bevoegd persoon worden vervangen om risico's te vermijden.

### 3. LOCATIE

Gebruik de kachel niet buiten.

Niet gebruiken in de onmiddellijke nabijheid van een bad, douche of zwembad.

De sfeerkachel niet onder een vast stopcontact of aansluitdoos installeren.

Zorg ervoor dat meubilair, gordijnen of ander brandbaar materiaal zich minstens 1 meter uit de buurt van de kachel bevinden. Hoewel deze kachel voldoet aan de veiligheidsnormen, raden wij het gebruik hiervan op hoogpolige tapijten of langharige vloerkleden af.

### 4. POSITIE VAN STEKKER

De kachel moet zodanig worden geïnstalleerd dat de stekker bereikbaar blijft.

Houd het voedings snoer uit de buurt van de voorkant van de kachel.

### 5. GEBRUIK VAN ANDERE REGELAARS

Gebruik deze kachel niet terwijl deze seriegeschakeld is met een thermische beveiliging, een programmaregelaar, een tijdschakelaar of een ander apparaat dat de kachel automatisch inschakelt, aangezien er kans op brand bestaat wanneer de kachel per ongeluk wordt afgedekt of verplaatst.

### 6. STEKER UITTREKKEN

Trek de stekker van de kachel uit het stopcontact indien deze defect is.

Trek de stekker van de kachel uit het stopcontact als de kachel gedurende lange periodes niet wordt gebruikt.

### 7. EIGENAAR/GEBRUIKER

Dit apparaat is niet bedoeld voor gebruik door kinderen of personen met beperkte lichamelijke of verstandelijke vermogens of een gebrek aan ervaring en kennis, tenzij dit onder toezicht gebeurt van een voor hun veiligheid verantwoordelijke persoon of tenzij ze van een dergelijke persoon instructies hebben ontvangen over het gebruik van het apparaat. Houd kinderen uit de buurt om te voorkomen dat ze met het apparaat spelen.

### 8. ELEKTRICITEIT

**WAARSCHUWING - DIT APPARAAT MOET WORDEN GEAARD**

De kachel mag uitsluitend op een contactpunt met wisselstroom worden aangesloten en het op de kachel aangegeven voltage moet overeenkomen met de netspanning.

Lees alle veiligheidsvoorschriften en gebruiksvoorschriften voordat u de kachel aanzet.

## Algemene informatie

Gebruik uitsluitend gefilterd leidingwater.

Zorg er altijd voor dat de kachel op een egale vloer staat.

Hoewel deze kachel voldoet aan de veiligheidsnormen, raden wij het gebruik hiervan op hoogpolige tapijten of langharige vloerkleden af.

Opmerking: als u de kachel in een omgeving gebruikt met weinig achtergrondgeluid, dan kunt u een geluid horen wanneer de kachel met het vlameffect wordt aangezet. Dit is normaal en vormt geen reden tot ongerustheid.

Als dit product een stroomstoot ervaart, om welke reden dan ook, dan zal het product worden uitgeschakeld. Dit is een normale beveiliging en het product zal na 30 seconden opnieuw werken.

Na het installeren mag de kachel niet worden verplaatst of op zijn rug worden gelegd zonder eerst het water in de opvangbak en waterreservoir af te tappen.

Als u van plan bent om de kachel meer dan twee weken niet te gebruiken, tap dan het water van de opvangbak en het waterreservoir af en droog de opvangbak.

Het waterreservoir, de opvangbak, de kap van de opvangbak, de tankdop en de luchtfilters moeten één keer in de twee weken worden gereinigd, in het bijzonder in gebieden met hard water.

De kachel mag niet worden gebruikt als de lampen niet werken.

De lampen dienen regelmatig te worden geïnspecteerd, zoals beschreven onder "Onderhoud" en "Lampen vervangen".

De opvangbak en het waterreservoir van dit product zijn behandeld met een biocide, zilverbiocide. Dit is conform de laatste hiervoor geldende ISO-norm

## Installatie-instructies

Dit gedeelte beschrijft hoe u uw kachel moet opstellen.

### ALVORENS U START

1. Pak het apparaat voorzichtig uit (lees alle waarschuwingen) en bewaar de verpakking voor eventueel toekomstig gebruik indien u gaat verhuizen of het apparaat naar de leverancier wilt terugsturen.
2. Controleer voordat u de kachel aansluit of de voedingsspanning hetzelfde is als op de kachel is aangegeven.

#### De transducer eenheid + lampen aansluiten

1. Verwijder de twee rode lipjes door deze 90 graden te draaien (Afb. 2).
2. Til de opvangbak uit (Afb. 3).
3. Steek de lampen in de lamphouders (Afb. 4), steek voorzichtig de pennen in de gaten (Afb. 4a).
4. Druk de lampen stevig op hun plaats.
5. Plaats de transducer eenheid in de opvangbak en verbind de kabel met de aansluiting op de opvangbak (Afb. 5).
6. Om te controleren of de transducer eenheid correct in de opvangbak werd geplaatst, moet u controleren of het lipje overeenkomt met de gevormde uitsparing in de opvangbak (Afb. 5a).
7. Zorg dat de kabel niet boven de schijf op de transducer eenheid wordt geplaatst (Afb. 5b). Om te voorkomen dat de kabel wordt geklemd door het mondstuk en de opvangbak moet u de kabel in de sleuf in de wand van de opvangbak plaatsen.
8. Plaats het mondstuk van de opvangbak terug en zet deze vast door de twee rode lipjes 90 graden te draaien (Afb. 6).

#### Het waterreservoir vullen

9. Plaats het waterreservoir in de gootsteen en verwijder de dop (draai naar links om te openen) (Afb. 7).
10. Vul het waterreservoir **alleen met gefilterd leidingwater**. Dit is nodig om de levensduur van het vlam- en rookmechanisme te verlengen. Het water dient te worden gefilterd via een conventionele leidingwaterfilter en het filter moet regelmatig worden vervangen. Gedistilleerd water **mag** niet worden gebruikt.
11. Schroef de dop er terug op - **niet te vast aandraaien**.
12. Plaats het reservoir weer terug bij de opvangbak, waarbij de dop van het reservoir naar onderen is gericht en de platte kant van het reservoir naar buiten wijst (Afb. 8).

#### De kachel monteren

13. Plaats het brandstofbed op het waterreservoir en mistmondstuk (Afb. 9).

## De kachel bedienen


In dit gedeelte wordt beschreven hoe u uw kachel met de bedieningsknoppen of afstandsbediening kunt bedienen.


### HANDBEDIENING


De bedieningsknoppen van de kachel bevinden zich onder de klep. (Zie Afb.10 voor een schema van de handbediening).


Schakelaar "A": - regelt de stroomtoevoer naar de kachel.


Note: Deze schakelaar moet zich in de stand "ON" (I) bevinden om de kachel met of zonder warmte te gebruiken.

Schakelaar "B": - Druk  1 keer om het vlameffect in te schakelen. Dit wordt door een pieptoon aangegeven. Hoewel de hoofdlampen direct werken, duurt het nog 30 seconden voordat het vlameffect start.

Druk  opnieuw voor het vlameffect en halve kracht. Dit wordt aangegeven door twee pieptonen.

Druk  opnieuw voor het vlameffect en volle kracht. Dit wordt aangegeven door drie pieptonen.

Druk  opnieuw om alleen naar het vlameffect terug te keren. Dit wordt door één pieptoon aangegeven.

Druk  om de kachel in de stand-by modus te zetten. Dit wordt door één pieptoon aangegeven.

Regelknop "C": - regelt de instelling van de thermostaat.

Door de regelknop naar links te draaien verlaagt u de temperatuurinstelling, door deze naar rechts te draaien, verhoogt u de temperatuurinstelling.

Regelknop "D": - regelt de intensiteit van het vlameffect.

Door de regelknop naar links te draaien verhoogt u het vlameffect, door de regelknop naar rechts te draaien verlaagt u het vlameffect.

### DE THERMOSTAAT INSTELLEN

Zorg dat de kachel is aangesloten en zet deze op de volledige warmte-instelling. Draai de regelknop "C" geheel naar rechts (max. temperatuurinstelling) om de kamer snel op te warmen. Als de ruimte op de gewenste temperatuur is gebracht, draait u de thermostaatknop weer langzaam terug totdat u aan het klikje hoort dat de thermostaat uit staat. De kachel behoudt dan de kamertemperatuur op het geselecteerde niveau.

Opmerking: Als uw kachel niet aanspringt wanneer de thermostaat op een lage instelling staat, dan kan dit komen doordat de kamertemperatuur hoger is dan de thermostaatinstelling.

### THERMISCHE BEVEILIGING

Er is een afslagmechanisme voor thermische beveiliging in de ventilatorkachel ingebouwd om schade door oververhitting te voorkomen. Dit kan gebeuren als de warmteuitlaat op enige wijze wordt geblokkeerd. Als het afslagmechanisme in werking treedt, dan dient u de stekker van de kachel uit het stopcontact te halen en ongeveer 10 minuten te wachten, voordat u deze er weer in steekt. Voordat u de kachel weer aanzet, dient u de obstakels die de warmte-uitlaat kunnen blokkeren te verwijderen en de kachel hierna opnieuw in werking te stellen.

**Let op:** om brandgevaar te voorkomen als gevolg van het onbedoeld resetten van de thermische beveiliging, mag het apparaat niet van stroom worden voorzien via een externe schakelaar, zoals een timer, of worden aangesloten op een schakelaar die regelmatig aan en uit wordt gezet door het elektriciteitsbedrijf.


### HET GEWENSTE VLAMEFFECT KRIJGEN


1. De vlamregelknop "D" (Afb.10) kan hoger of lager worden gedraaid voor een meer realistisch effect.
2. In het algemeen zien de vlammen er natuurlijker uit als de vlamregelknop omlaag is gedraaid.
3. Geef het vlammechanisme de tijd om te reageren op wijzigingen die u aanbrengt.
4. De kachel zal minder water verbruiken als het vlameffect op een lager niveau wordt ingesteld.
5. Kantel of verplaats de kachel niet als er water in het waterreservoir of in de opvangbak aanwezig is.
6. Zorg er altijd voor dat de kachel op een vlakke vloer staat.

### AFSTANDSBEDIENING GEBRUIKEN

Op het bedieningspaneel dient schakelaar A (zie Afb.10) op de "AAN" ( I )-stand te staan om de afstandsbediening te kunnen gebruiken.

De afstandsbediening is voorzien van drie toetsen. (Afb.12) Voor een goede werking moet u de afstandsbediening op het vlameffect richten. (Afb.17). De afstandsbedieningsfuncties zijn als volgt:

 Druk één keer om alleen het vlameffect aan te zetten.  
Dit wordt door één piepton aangegeven.

 Druk één keer om halve kracht en het vlameffect aan te zetten.  
Dit wordt aangegeven door twee pieptonen.  
Druk opnieuw voor volle kracht en vlameffect.  
Dit wordt aangegeven door drie pieptonen.

 Stand-by  
Dit wordt door één piepton aangegeven.

## Onderhoud

### ALGEMENE TIPS

Gebruik uitsluitend gefilterd leidingwater.

Zorg er altijd voor dat de kachel op een egale vloer staat.

Als u van plan bent om de kachel meer dan twee weken niet te gebruiken, verwijder en leeg de opvangbak en het waterreservoir. Na het installeren mag de kachel niet worden verplaatst of op zijn rug worden gelegd zonder eerst het water in de opvangbak en waterreservoir af te tappen.

De kachel mag niet worden gebruikt als de lampen niet werken.

De lampen dienen regelmatig te worden geïnspecteerd, zoals beschreven onder "Lampen vervangen".

### HET WATERRESERVOIR VULLEN

Als het waterreservoir leeg is, stopt het vlam- en rookeffect en hoort u twee "pieptonen", volg deze stappen

1. Druk schakelaar "A" naar **(0)** (Afb.10).
  2. Verwijder het brandstofbed en zet dit even opzij.
  3. Verwijder het waterreservoir door dit omhoog en eruit te tillen.
  4. Plaats het waterreservoir in een gootsteen en draai de dop naar links om het reservoir te openen. (Afb. 7)
  5. Vul het waterreservoir **alleen met gefilterd leidingwater**. Dit is nodig om de levensduur van het vlam- en rookmechanisme te verlengen.
- Het water dient te worden gefilterd via een conventionele leidingwaterfilter en het filter moet regelmatig worden vervangen.
6. Schroef de dop er weer op, draai deze niet te vast.
  7. Plaats het reservoir weer terug bij de opvangbak, waarbij de dop van het reservoir naar onderen is gericht en de platte kant van het reservoir naar buiten wijst (Afb. 8).
  8. Plaats voorzichtig het brandstofbed terug op zijn plaats (Afb. 9).
  9. Zet schakelaar "A" op "ON" **(I)** (Afb.10).

### LAMPEN VERVANGEN

Als een grote hoeveelheid van de rook grijs of kleurloos lijkt, kunnen er één of meer lampen stuk zijn.

U kunt kapotte lampen als volgt controleren.

1. Laat het vlameffect ingeschakeld, til het brandstofbed en waterreservoir uit.
  2. Zelfs met het mondstuk gemonteerd, is het mogelijk om te controleren welke lampen er moeten worden vervangen.
  3. Zet schakelaar "A" in de "UIT"-stand en haal de stekker van de kachel uit het stopcontact.
  4. Laat de lampen 20 minuten afkoelen voordat u ze eruit haalt.
  5. Verwijder de opvangbak zoals beschreven in het hoofdstuk Reinigen.
  6. Verwijder de kapotte lamp door deze voorzichtig verticaal omhoog te tillen en uit de contactpennen van de lamphouder te trekken, (zie Afb. 4 en 4a).
- Vervang door een OPTIMYST, 12V, 45W, Gu5.3 basis, 8° stralingshoek, gekleurde lamp (verkrijgbaar bij uw leverancier).
7. Plaats de twee contactpennen van de nieuwe lamp in de twee gaten van de lamphouder. Druk ze stevig op hun plaats (Afb. 4 en 4a).
  8. Vervang de opvangbak, waterreservoir en brandstofbed.

## **SCHOONMAKEN**

**Waarschuwing** - Zet schakelaar "A" altijd op "OFF" (0) (Afb. 10) en haal altijd de stekker uit het stopcontact voordat u de kachel reinigt.

We raden u aan om de volgende onderdelen 1 keer in de twee weken schoon te maken, vooral in gebieden met hard water:- waterreservoir, opvangbak, mondstuk, reservoirdop en afsluiter, luchtfilter.

Gebruik voor algemene reiniging een zachte schone stofdoek – nooit schurende reinigingsmiddelen gebruiken.

Gebruik het borstelhulpstuk van de stofzuiger af en toe om stof of pluis uit het uitlaatrooster van de ventilator te verwijderen.

## **Watertank**

1. Verwijder het waterreservoir zoals eerder beschreven, plaats dit in een gootsteen en tap het water af.
2. Gebruik de meegeleverde borstel om de binnenzijden van de dop zachtjes te borstelen en let vooral op de rubberen ring in de buitenste groef en de middelste rubberafdichting.
3. Vul het reservoir met een klein beetje afwasmiddel, plaats de dop terug, schud goed en spoel totdat alle sporen van het wasmiddel zijn verdwenen.
4. Vul uitsluitend met gefilterd leidingwater, plaats de dop terug en draai deze niet te vast.

## **Opvangbak**

1. Zet schakelaar "A" op de "OFF" (0) stand.
2. Verwijder het brandstofbed en zet dit even opzij.
3. Haal het waterreservoir eruit door dit omhoog te tillen.
4. Ontkoppel de elektrische aansluiting, die zich aan de rechterzijde van de opvangbak bevindt (Afb.5).
5. Maak de rechter vergrendelpennen van de opvangbak los door deze 90° te draaien. Hierdoor kan de opvangbak volledig worden verwijderd (Afb. 11).
6. Til de opvangbak voorzichtig op en zorg dat u deze recht houdt zodat er geen water wordt gemorst. Plaats de opvangbak in de gootsteen.
7. Maak de linker vergrendellipjes van de opvangbak los door deze 90° te draaien, en verwijder hierna het mondstuk (Afb.3).
8. Kantel voorzichtig zoals afgebeeld, zodat de vloeistof uit de opvangbak wordt afgetapt (Afb.13).
9. Vul de opvangbak met een kleine hoeveelheid afwasmiddel en gebruik de meegeleverde borstel om alle oppervlakken zachtjes te reinigen, inclusief de metalen schijf die zich in het bovenste groefvlak bevindt (Afb.14).
10. Wanneer schoongemaakt, spoel de opvangbak met schoon water om alle sporen van afwasmiddel te verwijderen.
11. Reinig het mondstuk met de borstel en spoel met water (Afb.15).
12. Voer de bovenstaande stappen in omgekeerde volgorde uit om te monteren.

## **Luchtfilter**

1. Verwijder het brandstofbed en zet dit even opzij.
2. Schuif het luchtfilter naar boven uit de plastic houder (Afb.16).
3. Spoel voorzichtig met water in de gootsteen en droog met een stoffen handdoek voordat u het filter terugplaatst.
4. Vervang het filter en zorg ervoor dat het zwarte filtergedeelte naar de voorkant van de kachel is gericht.
5. Vervang het brandstofbed.

## Aanvullende informatie

### DIENST NA VERKOOP

De garantie voor uw product is vanaf de aankoopdatum twee jaar geldig. Binnen deze periode repareren of vervangen wij dit product zonder hiervoor kosten in rekening te brengen (met uitzondering van de gloeilampen en afhankelijk van de beschikbaarheid), op voorwaarde dat de kachel overeenkomstig deze voorschriften werd geïnstalleerd en gebruikt. Uw rechten volgens deze garantie zijn een aanvulling op uw wettelijke rechten, die door deze garantie niet worden beïnvloed.

### RECYCLAGE



Voor elektrische producten die worden verkocht in de Europese Gemeenschap - Aan het einde van de nuttige levensduur van een elektrisch product mag dit niet met het gewone huisvuil worden weggegooid. Maak gebruik van de bestaande recyclingfaciliteiten. Neem contact op met uw plaatselijke verheidsinstanties of de leverancier hoe u in uw land producten kunt recyclen.

### OCTROOIEN EN OCTROOIAANVRAGEN

Producten van de reeks Optimyst worden beschermd door een of meer van de volgende octrooien en octrooiaanvragen:

Groot-Brittannië GB 2402206, GB 2460259, GB 2460453, GB 2418014, GB 2465738, GB 2449925, GB 2465537, GB 2455277, GB1020534.2, GB1020537.5, GB1110987.3

Verenigde Staten US 7967690, US 2010299980, US 2011062250, US 2008028648, US 13/167,042

Rusland RU2008140317

Europa EP 2029941, EP 2201301, EP 2315976, EP 1787063, EP07723217.1 , EP11170434.2, EP 11170435.9

China CN 101883953, CN 200980128666.2, CN 101057105, CN 101438104

Australië AU 2009248743, AU 2007224634

Canada CA 2725214, CA 2579444, CA 2645939

Internationale octrooiaanvraag WO 2006027272

Zuid-Afrika ZA 200808702

Mexico MX 2008011712

Korea KR 20080113235

Japan JP 2009529649

Brazilië BR P10708894-9

India IN 4122/KOLNP/2008

Nieuw Zeeland NZ 571900

## Probleemoplossing

Symptoom	Oorzaak	Oplossing
Het vlameffect start niet.	<p>De netstekker zit niet in het stopcontact.</p> <p>Laag waterniveau.</p> <p>Laagspanningsstekker niet goed aangesloten (Afb.5).</p> <p>De transducer unit zit niet goed in de opvangbak.</p>	<p>Controleer of de stekker goed in het stopcontact zit.</p> <p>Controleer of het waterreservoir vol is en of er water in de opvangbak aanwezig is.</p> <p>Controleer of de stekker goed in het stopcontact zit (Afb.5).</p> <p>Zorg ervoor dat de transducer goed in de holte in de opvangbak zit.</p>
Het vlameffect is te laag.	<p>De regelknop voor het vlameffect is te laag ingesteld (Afb.10).</p> <p>De metalen schijf in de transducer is mogelijk vuil (Afb.14).</p> <p>De draad van de transducer unit bevindt zich boven de metalen schijf.</p>	<p>Verhoog de grootte van de vlam door de regelknop "D" langzaam naar links te draaien (Afb.10).</p> <p>Reinig de metalen schijf met de meegeleverde zachte borstel (zie Afb.14) Zie "Onderhoud" voor een stap-voor-stapprocedure.</p> <p>Leidt de draad naar de achterkant van de opvangbak en zorg dat hij in de sleuf aan de zijkant zit, die uit de opvangbak komt.</p>
Onaangename geur als de kachel wordt gebruikt.	<p>Vuil of niet vers water.</p> <p>Het gebruik van ongefilterd leidingwater.</p>	<p>Reinig de kachel zoals beschreven bij onderhoud.</p> <p>Gebruik uitsluitend gefilterd leidingwater.</p>
Het vlameffect geeft te veel rook af.	Het vlameffect is te hoog ingesteld.	Draai de regelknop voor het vlameffect "D" naar rechts, ongeveer ¼ slag per keer. Geef het vlammechanisme tijd om zich aan te passen aan deze nieuwe instelling (Afb.10).
De hoofdlampen werken niet en er zijn geen vlammen of rook.	Er zit geen water in het reservoir.	<p>Volg de instructies onder <b>Onderhoud</b>, "Het waterreservoir vullen".</p> <p>Controleer of de stekker in het stopcontact zit en dat schakelaar "A" Afb. 10 zich in de stand "ON" (I) bevindt.</p>

## Intro

Denne vejledning skal læses omhyggeligt for at installere, bruge og vedligeholde produktet korrekt.

## Vigtige råd om sikkerhed

Når man anvender elektriske apparater, er der nogle grundlæggende forholdsregler, som altid skal følges for at reducere risikoen for brand, elektrisk stød og personskade, herunder følgende:

### 1. OVEROPHEDNING

ADVARSEL: Varmereen må ikke tildækkes, da den i så tilfælde kan overophede. Anbring ikke stof eller tøj på varmereen, og undlad at blokere luftcirkulationen omkring varmereen. Varmeapparatet er forsynet med advarslen MÅ IKKE TILDÆKKES.

### 2. SKADE.

Hvis apparatet er beskadiget, skal det kontrolleres af leverandøren før installation og betjening.

Hvis netledningen beskadiges, skal den udskiftes af fabrikanten eller serviceagenten eller en tilsvarende kvalificeret person for at undgå fare.

### 3. PLACERING

Må ikke anvendes udendørs.

Må ikke anvendes i nærheden af badekar, brusebad eller svømmebassin.

Placer ikke den elektriske pejs lige under en fast stikkontakt eller forbindelsesdåse.

Det skal sikres, at møbler, gardiner eller brændbart materiale ikke anbringes nærmere end 1 m fra den elektriske pejs. Selvom den elektriske pejs overholder sikkerhedsstandarder, anbefaler vi ikke, at den benyttes på tykke tæpper eller tæpper med lang luv.

### 4. STIKPLACERING

Apparatet skal placeres, så der er adgang til stikket.

Netledningen skal holdes væk fra forsiden på den elektriske pejs.

### 5. BRUG AF ØVRIGE KONTROLFUNKTIONER

Denne elektriske pejs må ikke anvendes i serier med varmeregulering, programstyring, timer eller nogen anden anordning, som automatisk tænder for varmen, da der er risiko for brand, når apparatet tildækkes utilsigtet, eller der skubbes til det.

### 6. AFBRYDELSE

I tilfælde af fejl, skal stikket til den elektriske pejs trækkes ud.

Træk stikket til den elektriske pejs ud, når den ikke skal bruges i længere tid.

### 7. EJER/BRUGER

Dette apparat er ikke beregnet til brug af børn eller personer med nedsatte fysiske, sensoriske eller mentale evner eller manglende erfaring og kendskab, medmindre de får opsyn eller vejledning i brugen af apparatet af en person, der er ansvarlig for deres sikkerhed. Børn skal være under opsyn, så de ikke kan lege med apparatet.

### 8. ELEKTRICITET

ADVARSEL - DETTE APPARAT SKAL JORDFORBINDES.

Denne elektriske pejs må kun anvendes på en AC ~forsyning (vekselstrøm) og spændingen, som er angivet på apparatet, skal svare til netspændingen.

Læs alle sikkerhedsadvarsler og betjeningsvejledninger, før der tændes for strømmen.

## Generelle oplysninger

Brug kun filtreret vand fra hanen i denne ovn.

Sørg for, at apparatet altid står på et plant gulv.

Selvom den elektriske pejs overholder sikkerhedsstandarder, anbefaler vi ikke, at den benyttes på tykke tæpper eller tæpper med lang luv.

Bemærk: Ved anvendelse på et sted med meget lav baggrundsstøj kan man måske høre en lyd, som har tilknytning til flammeeffektens funktion. Dette er normalt, og bør ikke vække bekymring.

Hvis produktet udsættes for overspænding uanset årsagen, kan det kortslyttes. Det er en normal sikkerhedsfunktion og produktet fortsætter efter 30 sekunder.

Når apparatet er installeret, må det ikke flyttes eller lægges ned, uden at vandet først tømmes ud af opsamlingskarret og vandtanken.

Hvis du ikke har til hensigt at bruge apparatet i mindst 2 uger, skal vandet tømmes ud af opsamlingskarret og vandtanken. Aftør derefter opsamlingskarret.

Vandtank, opsamlingskar, karlåg, tankdæksel og luffiltre skal rengøres hver anden uge, især i områder med hårdt vand.

Apparatet bør aldrig bruges, hvis pærerne ikke virker.

Pærerne skal undersøges regelmæssigt, som beskrevet under "Vedligeholdelse" og "Udskiftning af pærer".

Sumpen og vandtanken i dette produkt er behandlet med et biocidholdigt produkt, Silver Biocide. Dette er i overensstemmelse med den nyeste, mest relevante ISO-standard



## Installationsinstruktioner

I dette afsnit beskrives opsætning af pejsen.

### INDEN DU STARTER

1. Sørg for al emballage fjernes (læs advarselmærker omhyggeligt) og gem emballagen til eventuel senere brug fx ved flytning eller returnering til leverandøren.
2. Før pejsen tilsluttes, skal det kontrolleres, at netspændingen er den samme, som den, der er angivet på ovnen.

#### Tilslutning af transducer + pærer

1. Løsn de to røde tapper ud ved at dreje dem 90 grader (fig. 2).
2. Tag opsamlingskarrets dyse ud (fig. 3).
3. Isæt pærer i pærerholderne (fig. 4), sæt forsigtigt stifterne i hullerne (fig. 4a).
4. Skub pæren på plads.
5. Sæt transducere i karret og saml ledningen til stikket på karret (fig. 5).
6. Sørg for transducere sidder korrekt i karret ved at tappen på transducere følger fordybningen i karret (fig. 5a).
7. Sørg for kablet ikke sættes over skiven på karret (fig. 5b). Undgå at kablet kommer i klemme mellem dyse og kar ved at placere kablet i hullet i væggen på karret.
8. Isæt karrets dyse og fastgør ved at dreje de to røde tapper 90 grader (fig. 6).

#### Påfyldning af vandtanken

9. Placer vandtanken og fjern hættten (drej mod uret for at åbne) (fig. 7)
10. Fyld vandtanken med **kun filtreret vand**. Dette er nødvendigt for at forlænge den flamme- og røgproducerende enheds funktionstid. Vandet bør filtreres gennem et almindeligt vandfilter, og filteret skal udskiftes regelmæssigt. Distilleret vand **må ikke** anvendes.
11. Skru dækslet på igen, **stram ikke for hårdt**.
12. Placer vandtanken i karret, med hættten nedad og den flade side af tanken udad (fig. 8).

#### Samling af pejsen

13. Sæt brændselslejet oven på vandtanken tågedysen (fig. 9).

## Betjening af pejsen

Dette afsnit beskriver, hvordan du kan tænde pejsen manuelt eller med fjernbetjening.

### KONTROLKNAPPER


Den manuelle betjening findes under flappen. (Se fig. 10 for en skitse af kontrolknapperne)

Knap "A" - Tænder og slukker for strømtilførslen til pejsen.


Bemærk: Den skal være "TÆNDT" ( **A** ) for at pejsen virker med eller uden varme, når den er aktiveret.

Kontakt "B":- Tryk  en gang for at tænde for flammeeffekten. Dette vil blive angivet med et bip. Selv om hovedpæren fungerer øjeblikkeligt, vil det tage yderligere 30 sekunder, før flammeeffekten begynder.

Presse  igen for flammeeffekt og halv varme. Dette vil blive angivet med to bip.

Presse  igen for flammeeffekt og fuld varme. Dette vil blive angivet med tre bip.

Presse  igen for at vende tilbage til blot flammeeffekt. Dette vil blive angivet med et bip.

Presse  for at sætte pejsen i standby. Dette vil blive angivet med et bip.

Drejknep "C" - Regulerer termostatindstillingen.

Drej drejknappen til venstre for skrue ned for temperaturen, drej drejknappen til højre for at skrue op for temperaturen.

Drejknep "D" - Regulerer flammeeffektens intensitet.

Drej drejknappen til venstre for at øge flammeeffekten. Drej drejknappen til højre for at mindske flammeeffekten.

### TERMOSTATINDSTILLING

Sørg for pejsen er tilsluttet og tænd den med fuld varmeindstilling. Drej kontrolknappen "C" helt til højre (maks. temperaturindstilling) for at varme lokalet hurtigt. Når lokalet har nået den ønskede temperatur, drejes termostatknappen langsomt tilbage, til termostaten afbryder med et klik. Pejsen opretholder lokalets temperatur ved det valgte niveau.

Bemærk: Hvis varmeapparatet ikke tændes, når termostaten er indstillet til en lav temperatur, kan det være fordi, rumtemperaturen er højere end termostats indstilling.

### TERMISK SIKKERHEDSAFBRYDER

Der er indbygget en termisk sikkerhedsafbryder i blæseren med henblik på at forhindre skade som følge af overophedning. Det kan ske, hvis varmeudgangen blev hæmmet på nogen måde. Hvis afbryderen slukker, tager du

varmerens stik ud af stikkontakten, og venter ca. 10 minutter før stikket sættes i igen. Før du tænder for varmeren igen, skal du fjerne evt. forhindringer, der kan blokere for varmen og derefter fortsætte med normal funktion.

**Bemærk:** For at undgå fare som følge af utilsigtet nulstilling af den termiske afbryder, må apparatet ikke være tilsluttet via en ekstern afbryderanordning, f.eks. timer, eller være tilsluttet et kredsløb, der regelmæssigt tændes og slukkes af udstyret.

### SÅDAN OPNÅS DEN ØNSKEDE FLAMMEEFFEKT

1. Flammedrejknappen "D" (fig. 10) kan dreje op og ned for flammestørrelsen, for at give en mere realistisk effekt.
2. Generelt virker flammerne mere realistiske, når knappen drejes til en lavere indstilling.
3. Giv flammegeneratoren tid til at reagere på den ønskede ændring.
4. Pejseren bruger mindre vand, hvis flammeeffekten indstilles til et lavere niveau.
5. Du må ikke hælde eller flytte pejseren, mens der er vand i tanken eller opsamlingskarret.
6. Sørg for, at pejseren står på et plant gulv.

### BRUG AF FJERNBETJENING

På kontrolpanelet skal knap A (fig. 10) være på tændt (I) indstilling for at fjernbetjeningen kan fungere.

Der er 3 knapper på fjernbetjeningen (fig. 12). Fjernbetjeningen skal rettes mod forreste del af risten (fig. 17).

Fjernbetjeningens funktioner:



Tryk én gang for at tænde for flammeeffekten alene.

Dette vil blive angivet med et bip.



Tryk én gang for at tænde for halv varme og flammeeffekt.

Dette vil blive angivet med to bip.

Tryk igen for at tænde for fuld varme og flammeeffekt.

Dette vil blive angivet med tre bip.



Standby

Dette vil blive angivet med et bip.

## Vedligeholdelse

### GENERELLE TIP

Brug kun filtreret vand fra hanen i denne ovn.

Sørg for, at apparatet altid står på et plant gulv.

Hvis du ikke ønsker at bruge pejseren i over 2 uger, så fjern og tøm karret og vandtanken.

Når apparatet er installeret, må det ikke flyttes eller lægges ned, uden at vandet først tømmes ud af opsamlingskarret og vandtanken.

Apparatet bør aldrig bruges, hvis pærerne ikke virker.

Pærerne skal undersøges regelmæssigt, som beskrevet under "Udskiftning af pærer".

### PÅFYLDNING AF VANDTANK

Når vandtanken er tom, slukkes flammen og, røgeffekten lukkes af, mens du hører 2 hørbare "bip", følg disse trin.

1. Slå knappen "A" "TIL" (0) (fig. 10).
  2. Løft den forsigtigt ud af brændselslejet og sæt den omhyggeligt til siden.
  3. Fjern vandtanken ved at løfte den op- og udad.
  4. Læg vandtanken i en håndvask, og tag dækslet af (fig. 7).
  5. Fyld tanken med **kun filtreret vand**. Dette er nødvendigt for at forlænge den flamme- og røgproducerende enheds funktionstid.
- Vandet bør filtreres gennem et almindeligt vandfilter, og filteret skal udskiftes regelmæssigt.
6. Skru hættten på igen, stram den ikke for meget.
  7. Sæt tanken tilbage i opsamlingskarret, så tankens dæksel vender nedad, og den flade side af tanken vender udad (fig. 8).
  8. Sæt forsigtigt brændselslejet på igen (fig. 9).
  9. Slå knappen "A" "TIL" (I) (fig. 10).

### UDSKIFTNING AF PÆRER

Hvis flammen og røgen virker grå eller farveløs, kan det skyldes, at en eller flere pærer er gået.

Du kan tjekke pærerne således.

1. Lad flammeeffekten være tændt, tag brændselslejet og vandtanken ud.
2. Det bør være muligt at se lamperne med dysen på sin plads og se, hvilken der skal udskiftes.
3. Sæt knap "A" i "SLUKKET" indstilling, og tag stikket ud af stikkontakten.
4. Lad pejseren stå i 20 minutter, så pærerne kan køle af, før du fjerner dem.
5. Fjern opsamlingskarret som beskrevet i afsnittet om rengøring.
6. Fjern den defekte pære ved forsigtigt at løfte den lodret og koble benene fri af pærefatningen (fig. 4 og 4a).

Udskift pæren med en OPTIMYST, 12 V, 45 W, Gu5.3 base, med 8° strålevinkel, farvet pære. (Købes af din

leverandør)

7. Sæt forsigtigt den nye pæres to ben ind i de to huller i lampeholderen. Skub pæren på plads (fig. 4 og 4a).
8. Udskift karret, ventilen, vandtanken og brændselslejet.

## RENGØRING

**Bemærk** - Slå altid knappen "A" FRA (0) (fig. 10) og afbryd fra strømforsyningen inden pejsten gøres ren.

Vi anbefaler rengøring af følgende komponenter én gang hver 2. uge, især i områder med hårdt vand:

Vandtank, opsamlingskar, ventil, tankdæksel og pakning, luftfilter.

Almindelig rengøring udføres med en blød, ren støvklud - brug aldrig rengøringsmidler med slibemiddel.

Støv og frug fjernes lejlighedsvist fra blæserens gitter med støvsugerens bløde børstetilbehør.

### Vandtank

1. Fjern vandtanken, som beskrevet tidligere. Læg den i en håndvask, og tøm den for vand.
2. Brug den medfølgende børste til forsigtigt at skrubbe indersiden af hættten og hold især øje med gummiringen i yderste rille og den midterste gummipakning.
3. Hæld lidt opvaskemiddel i tanken, sæt dækslet på igen, og ryst tanken kraftigt. Skyl grundigt til alle rester af opvaskemiddel er væk.
4. Fyld kun op med filtreret vand. Sæt dækslet på igen, og pas på ikke at stramme for hårdt.

### Bundkar

1. Slå knappen "A" FRA (0) FRA.
2. Løft forsigtigt brændselslejet væk og sæt det forsigtigt på jorden.
3. Fjern vandtanken ved at løfte den opad.
4. Afbryd den elektriske konektor, som findes på højre side af opsamlingskarret (fig. 5).
5. Løsn højre låsetap ved at dreje 90°. Så kan karret løftes helt ud (fig. 11).
6. Løft forsigtigt opsamlingskarret op, og sørg for at holde det lige, så der ikke spildes vand. Læg enheden ned i en håndvask.
7. Frigør venstre opsamlingskars låsetapper ved at dreje 90°, og løft af ventilen (fig. 3).
8. Løft transduceren ud og vip forsigtigt opsamlingskarret som vist, så væsken drænes fra opsamlingskarret (fig. 13).
9. Hæld lidt opvaskemiddel i opsamlingskarret, og brug den medfølgende børste til forsigtigt at rengøre alle overflader i opsamlingskarret og rengør transduceren forsigtigt samt metalskiverne, der sidder i den øverste rille (fig. 14).
10. Efter rengøringen skylles det grundigt med rent vand for at fjerne alle spor af opvaskemidlet.
11. Rengør dysen med børsten og skyld grundigt med vand (fig. 15)
12. Saml opsamlingskarret i modsat rækkefølge af adskillelsen.

### Luftfilter

1. Løft forsigtigt brændselslejet væk og sæt det forsigtigt på jorden.
2. Før luftfiltret langsomt op og ud af dets plastikholder (fig. 16).
3. Skyl forsigtigt med vand i håndvasken, og tør den med et håndklæde, før du sætter den i igen.
4. Udskift filtret og sørg for det grove sorte filter vender mod ilden.
5. Udskift brændselslejet.

## Yderligere oplysninger

### SERVICE EFTER SALG

Der er garanti på produktet to år efter købsdatoen. I løbet af denne periode udfører vi gratis reparation eller ombygning af produktet, (bortset fra pærer og med forbehold for lagerbeholdning) under forudsætning af, at det har været installeret og betjent i overensstemmelse med nærværende vejledning. Dine rettigheder i henhold til garantien er udover dine lovbestemte rettigheder og påvirkes ikke af nærværende garanti.

### GENBRUG



For elektriske produkter, der sælges i EU - ved slutningen af det elektriske produkts levetid må det ikke bortskaffes som husholdningsaffald. Lever apparatet til genbrug, hvor sådanne faciliteter findes. Spørg din lokale myndighed eller forhandleren for råd om genbrug i dit land.

## PATENT / PATENTANSØGNING

Produkter i Optimyst-sortimentet beskyttes af et eller flere af følgende patenter og patentansøgninger:

Storbritannien GB 2402206, GB 2460259, GB 2460453 , GB 2418014, GB 2465738, GB 2449925, GB 2465537 , GB 2455277, GB1020534.2, GB1020537.5, GB1110987.3

USA US 7967690, US 2010299980, US 2011062250, US 2008028648, US 13/167,042

Rusland RU2008140317

Europa EP 2029941, EP 2201301, EP 2315976, EP 1787063, EP07723217.1 , EP11170434.2, EP11170435.9

Kina CN 101883953, CN 200980128666.2, CN 101057105, CN 101438104

Australien AU 2009248743, AU 2007224634

Canada CA 2725214, CA 2579444, CA 2645939

International patentansøgning WO 2006027272

Sydafrika ZA 200808702

Mexico MX 2008011712

Korea KR 20080113235

Japan JP 2009529649

Brasilien BR P10708894-9

Indien IN 4122/KOLNP/2008

New Zealand NZ 571900

### Fejlsøgning

Symptom	Årsag	Løsning
Flammeeffekten vil ikke starte.	Elstikket er ikke sat i.  Lav vandstand.  Lavspændingsstikket er ikke korrekt sat i (fig.5).  Transduceren er ikke placeret korrekt i karret.	Tjek, at stikket er sat korrekt i stikkontakten.  Kontroller, at vandtanken er fuld, og at der er vand i opsamlingskarret.  Tjek, at stikket er sat korrekt i (fig.5).  Sørg for transducer er placeret korrekt i fordybningen i karret.
Flammeeffekten er for lav.	Flammeeffektknappen er indstillet for lavt (fig.10).  Metalskiven i transduceren kan være snavset (fig.14).  Ledningen fra transduceren er placeret over metalskiven.	Skru op for flammeeffekten ved langsomt at dreje knappen D til venstre (fig.10).  Rengør metalskiven med den bløde børste, der følger med varmeren (se fig. 14). Se "Vedligeholdelse" for en trinvis fremgangsmåde.  Før ledningen til bagsiden af karret og sørg for den føres ind i sideåbningen i karret.
Ubehagelig lugt, når varmeren bruges.	Snavset eller stillestående vand.  Der er brugt ufiltreret vand fra hanen.	Rengør enheden som beskrevet under vedligeholdelse.  Brug kun filtreret vand fra hanen.
Flammeeffekten har for meget røg.	Flammeeffektindstillingen er for høj.	Drej flammeeffektens kontrolknap "D" med uret, ca. ¼ omgang, ad gangen. Giv flammegeneratoren tid til at justere effekten til den nye indstilling (fig. 10).
Hovedpæren fungerer ikke, og der er ingen flammer eller røg.	Der er ikke vand i vandtanken.	Følg anvisningerne under <b>Vedligeholdelse</b> , "Påfyldning af vandtanken".  Kontroller stikket sidder korrekt i vægstikket og at "A" fig. 10 er slået til <b>A</b> ).





## DE - Garantie

Die nachstehenden Ausführungen über Umfang der Garantie, Garantiefristen und die Anmeldung von Garantieansprüchen gelten ausschließlich für die Bundesrepublik Deutschland.

Wir räumen dem Käufer nach seiner Wahl zusätzlich zu den ihm gegen den Verkäufer ausstehenden gesetzlichen Gewährleistungsansprüchen einen Anspruch nach Maßgabe der nachfolgenden Garantieverpflichtung ein:

### I. Dauer und Beginn der Garantie

1. Grundsätzlich wird für jedes im Haushalt eingesetzte Gerät die auf der Garantiekarte ausgezeichnete Garantiezeit gewährt.
2. Bei gewerblicher Nutzung der von der Bauart her für den Haushalt bestimmten Geräte beträgt die Garantiezeit lediglich sechs Monate.
- 3 Die Garantie ist mit dem Zeitpunkt der Übergabe des Gerätes wirksam.
4. Bewahren Sie die vom Verkäufer ausgefüllte Garantie-Urkunde mit der Rechnung, dem Lieferschein oder einem anderen Kaufnachweis auf.
5. Durch Garantieleistungen tritt keine Verlängerung der ursprünglichen Garantiezeit ein.
6. Garantieansprüche können nur geltend gemacht werden, wenn die Mängelrüge innerhalb von 14 Tagen nach Entdeckung des Mangels schriftlich bei uns eingeht.

### II. Inhalt und Umfang der Garantie

1. Ihr Gerät wird sorgfältig geprüft. Für den Fall, daß der Garantieanspruch zu Recht besteht, entscheiden wir, auf welche Art der Schaden behoben werden soll / wird. Im Reparaturfall sorgen wir für eine fachgerechte Ausführung.
2. Bei der Einsetzung zur Reparatur sind Garantie-Urkunde und Kaufnachweis beizufügen.
3. Innerhalb der ersten sechs Monate erbringen wir die Garantieleistungen ohne Berechnung von Nebenkosten (Fahrt- und Wegzeitkosten, Fracht- und Verpackungskosten).
4. Darüber hinausgehende Ansprüche, insbesondere Schadenersatzansprüche, sind ausgeschlossen, soweit eine Haftung nicht gesetzlich angeordnet ist.

### III. Einschränkungen der Garantie

1. Eine Garantie besteht nicht bei Fehlern oder Mängeln, die auf folgendes zurückzuführen sind:
  - a) Reparaturen und Abänderungen, die von nicht autorisierter dritter Stelle vorgenommen werden oder wurden;
  - b) äußere Einwirkungen, zum Beispiel Transportschäden, Beschädigungen durch Stoß oder Schlag, Schäden durch Witterungseinflüsse oder sonstige Naturerscheinungen;
  - c) unsachgemäße / fehlerhafte Bedienung oder Beanspruchung;
  - d) Verwendung von ungeeigneten Reinigungsmitteln, Chemikalien usw.
2. Die Garantie erstreckt sich nicht auf leicht zerbrechliche Teile, zum Beispiel Glas, Kunststoff, Glühlampen.
3. Geringfügige Änderungen gegenüber Prospekten oder Mustern oder früher gelieferter Ware gelten nicht als Mangel. Gleiches gilt bei lediglich geringfügigen Abweichungen von der Sollbeschaffenheit, die für Wert- und Gebrauchstauglichkeit des Gerätes unerheblich ist.
4. Im Ausland gelten die von unserer jeweils zuständigen Landesvertretung herausgegebenen Garantiebedingungen.

**DE - Garantie** Für dieses Gerät gelten die in dem Kaufhand herausgegebenen Garantiebedingungen. Einzelheiten teilt Ihnen der Händler, bei dem Sie das Gerät gekauft haben, auf Anfrage jederzeit mit. Die Inanspruchnahme von Garantieleistungen setzt die Vorlage des Kaufbeleges und die Einhaltung der Garantiefrist voraus. Der Garantieanspruch verfällt, wenn das Gerät beschädigt, nicht sachgemäß benutzt oder unbefugte Eingriffe vorgenommen wurden.

**UK - Warranty** The warranty conditions in the country of purchase apply to this appliance. Information can be obtained at any time from the retailer from whom the appliance was purchased. For claims under guarantee the sales receipt must be produced and the claims must be forwarded within the guarantee period. The right to claim under guarantee expires in case that the device has been damaged, used in an inappropriate way or that unauthorized manipulations have been carried out.

**FR - Garantie** Pour cet appareil, les garanties applicables sont celles en vigueur dans le pays où a lieu l'achat. Votre revendeur vous en communiquera à tout moment les détails sur simple demande. La revendication au droit à la garantie est assujettie à la présentation de la preuve d'achat et du respect du délai de garantie. Le droit à la garantie expire lorsque l'appareil a été endommagé, utilisé de manière inadéquate ou que des interventions ont été effectuées par des tiers.

**IT - Garanzia** Per questo apparecchio valgono le condizioni di garanzia pubblicate nel Paese d'acquisto. I dettagli a riguardo vengono forniti, in ogni momento, su richiesta, dal rivenditore presso il quale viene acquistato l'apparecchio. Il diritto alla prestazione di garanzia ha come premessa l'esibizione dello scontrino di acquisto e l'osservanza del termine di garanzia. Il diritto alla copertura di garanzia non sussiste, se l'apparecchio è stato danneggiato, se non è stato utilizzato a regola d'arte e sono stati effettuati su di esso interventi non autorizzati.

**ES - Garantía** Para este aparato tienen validez las condiciones de garantía entregadas en el país de compra. En caso de preguntas, el vendedor al que usted compró el aparato, estará en todo momento dispuesto a informarle sobre los detalles al respecto. La solicitud de prestaciones que estén incluidas en las disposiciones de garantía presupone, que usted presente el ticket de compra y que haga su solicitud en el plazo de garantía. Los derechos de garantía caducan, si el aparato se ha dañado, si se ha utilizado de manera inadecuada, o si en él se han efectuado intervenciones desautorizadas.

**PT - Garantia** As condições de garantia do país de compra aplicam-se a este aparelho. Pode obter informação em qualquer altura do retalhista de onde adquiriu o aparelho. Todas as reclamações ao abrigo da garantia terão de se fazer acompanhar do documento comprovativo da compra e de serem enviadas dentro do período da garantia. O direito de reclamação ao abrigo da garantia expira no caso do aparelho ter sido danificado, utilizado de forma incorrecta ou de se terem efectuado manipulações não autorizadas.

**NL - Garantie** Voor dit apparaat gelden de in het koopland uitgegeven garantievoorwaarden. Details deelt U Uw dealer, waar U het apparaat heeft gekocht, op aanvraag altijd mee. De gebruikmaking van garantievergoedingen vereist het overleggen van het koopbewijs en de nakoming van de garantietermijn. De garantieclaim vervalt, wanneer het apparaat werd beschadigd, niet juist werd gebruikt of onbevoegde ingrepen werden uitgevoerd.

**DK - Garanti** Apparatet er omfattet af de garantibetingelser, som er gældende i købslandet. Nærmere detaljer kan fås hos den forhandler, hvor du har købt apparatet. Der kan kun støttes ret på garantien ved forelægning af købskvittering og kun inden for garantiperioden. Garantien bortfalder, hvis apparatet er blevet beskadiget, anvendt forkert eller i tilfælde af uautoriseret indgreb i apparatet.

**SE - Garanti** För denna apparat gäller de för inköpslandet utgivna garantibestämmelserna. På förfrågan kan detaljerna i garantibestämmelserna erhållas från inköpsstället där apparaten har köpts. Om garantin tas i anspråk måste inköpskvitto kunna uppvisas inom garantitiden. Alla garantianspråk

**NO - Garanti** For dette apparatet gjelder kun de betingelsene som er offentliggjort i forretningen det er kjøpt. Detaljer ang. dette kan man til enhver tid få hos den fagforhandleren hvor du har kjøpt apparatet. For å ha fulle garantirettigheter må man kunne fremlegge kvitteringen og garantifristen må ikke være utløpt. Garantien gjelder ikke når apparatet er skadet, ikke er brukt etter forskriftene eller ukvalifiserte inngrep er foretatt.

**FI - Takuu** Laitteella on ostomaassa voimassa olevat takuehdot. Yksityiskohdat näistä ehdoista ilmoittaa sinulle kauppias, jolta olet laitteen ostanut. Takuusuurituksia voi vaatia takuuaian ollessa voimassa esittämällä ostotodistust. Takuu ei ole voimassa, mikäli laitetta on käytetty sen ollessa vaurioitunut, sitä on käytetty väärin tai ammatitaidoton henkilö on korjannut laitetta.

**PL - Gwarancja** Dla tego urządzenia obowiązuje warunki gwarancji wydane w kraju zakupu. W każdym chwili sprzedawca, u którego dokonano zakupu urządzenia, przekaże Państwu odpowiednie szczegóły. Wykorzystanie świadczonych gwarancyjnych jest uwarunkowane przedłożeniem pokwitowania zakupu i zachowaniem terminu gwarancji. Prawo do gwarancji przepada, gdy urządzenie zostanie uszkodzone, niepoprawnie używane lub dokonane zostaną niedozwolone manipulacje.

**CZ - Záruka** Pro tento přístroj jsou platné záruční podmínky, které byly vydány v zemi kupujícího. S podrobnostmi Vás kdykoliv na požádání seznámí Váš prodejce, u kterého jste přístroj zakoupili. Uznání záruky předpokládá předložení dokladu o koupi a dodržení záruční lhůty. Nárok na záruku propadá, je-li přístroj poškozený, neodborní provozovaný a nebo byly-li na něm provedeny neodborné zásahy.

**LV - Garantija** Dai ierīci ir spēkā pircēja valstī izdotie garantijas noteikumi. Par to jūs sākatu informāciju saņemsiet veikalā, kurā jūs šo ierīci nopirkāt. Garantijas pieteikšanai jums ir nepieciešama pirkšanas kvīts. Bez tam ir svarīgi, lai garantijas termiņā nebūtu notecējis. Garantija netiek sniegta, ja jūs ierīci sabojājāt, ekspluatējāt neatbilstoši lietošanas instrukcijai, veicāt patvaļīgi demontāžu vai mēģinājāt paši to remontēt.

**SI - Garancija** Za to napravu veljajo garancijski pogoji izdani v drzavi nakupa. Na vašo željo vas bo o podrobnostih kadarkoli obvestil trgovec, pri katerem ste kupili napravu. Pogoj za uveljavljanje storitev določeni v garanciji je predložitev računa in upoštevanje garancijskega roka. Pravica do garancije zapade, če je naprava poškodovana, če naprava ni bila ustrezno uporabljana ali če so bili izvedeni nepooblašteni posegi v napravu.

**SK - Záruka** Pre tento prístroj platia záručné podmienky vydané v krajine jeho zakúpenia. S podrobnosťami Vás na požiadanie kedykoľvek oznámia predajca, u ktorého ste prístroj zakúpili. Nárok na záručné služby predpokladá predloženie dokladu o kúpe a dodržanie záručnej lehoty. Nárok na záruku zaniká, ak bol prístroj poškodený, neodborne používaný alebo na ňom boli urobené neoprávnené zásahy.

**LT - Garantija** Šiam prietaisui galioja pirkimo šalyje idleistos garantijos sąlygos. Jums pasiteiravus bet kuriuo metu pardavėjas, pas kurą Jus pirkote prietaisą, informuos apie smulkesnes. Garantijos vykdymo pasinaudojimo sąlyga yra kasos čekio pateikimas ir garantinio termino id laikymas. Garantinis reikalavimas pasibaigia, jeigu prietaisas sugadintas, netinkamai buvo naudotas arba buvo atlikti neleistini asiikiidimai.

**EE - Garantii** Seadme kohta kehtivad selle riigi garantitingimused, kus seade on ostetud. Seadme edasimüüja annab Teile põhjalikku informatsiooni garantii üksikasjade kohta. Garantiteenuste osutamise aluseks garantiiaja jooksul on ostudokument. Garantii ei kehti, kui seade on kahjustunud, seda on kasutatud ebaotstarbeliselt või seadet on demonteeritud.

**HU - Garancia** A készülékre a vásárlási országbán kiadott garanciaiis feltételek érvényesek. Ennek részleteiről kérésre szívesen nyújt információit az a kereskedő, akitől a készülékelt vásárolta. A garanciaiis teljesítés igénybe vételének előfeltétele a vásárlási bizonylat bemutatása és a garanciaiis határidő betartása. A garanciaiis igény nem érvényes, ha a készülék sérült, nem szakszerűen használták vagy illetékelen beavatkozásokat végeztek rajta.

**HR - Jamstvo** Uvjeti jamstva koji važe u državi kupnje važe i za ovaj uređaj. Podaci se mogu dobiti u svako doba od dobavljača od kojega ste kupili proizvod. Za zahtjeve po osnovi jamstva morate priložiti račun koji ste dobili pri kupnji, a zahtjev treba podnijeti u toku trajanja jamstvenog perioda. Pravo iz jamstva istice u slučaju da je uređaj oštećen, korišten na neodgovarajući način ili su na njemu provedene neovlaštene popravke.

**GR - Εγγύηση Για την παρούσα συσκευή ισχύουν οι κανονισμοί εγγύησης του ισχύουν στην χώρα όπου αγοράστηκε. Λεπτομέρειες θα σας παρέχει ο έμπορος από τον οποίο προμηθευτήκατε την συσκευή οποιαδήποτε στιγμή του το ζητήσετε. Απαραίτητες προϋποθέσεις για την διεκδίκηση παροχών που περιλαμβάνονται στην εγγύηση είναι η απόδειξη αγοράς και η ήρηση της προθεσμίας εγγύησης. Η εγγύηση εκπίπτει εφόσον η συσκευή υπέστη βλάβη, δεν χρησιμοποιήθηκε ορθά ή έλαβαν χώρα επεμβάσεις σε αυτή από μη εξουσιοδοτημένο προσωπικό.**

**BG - Гаранция** За настоящия уред ваят гаранционните условия, валидни за страната, в която е купен. С подробностите ще Ви запознае продавачът, от който сте купили уреда и към който Вие можете да се обърнете по всяко време. За да се предоставят гаранционни услуги, е необходимо да се представи документът за закупуване и да не е изтекъл гаранционният срок. Гаранцията се губи, ако уредът е повреден, неправилно използван или с недопустими изменения.

**RU - Гарантия** В отношении этого прибора действительны условия гарантии, предоставленные в стране приобретения. Более подробную информацию по вашему запросу в любое время предоставит магазин, в котором вы приобрели прибор. Для гарантийного обслуживания необходимо в течение гарантийного срока предъявить квитанцию о покупке. Гарантия утрачивает силу, если прибор был поврежден, использовался ненадлежащим образом или был подвергнут недозволенным вмешательствам.

1. Warranty Card <b>GCDimplex</b>	2. Guarantee Period (yrs) 2	3. Model(s)	4. Date Of Purchase
5. Stamp & signature of retailer	6. Fault/Defect		
7. Contact Number & Address			
DE Glen Dimplex Deutschland Gmbh ewt-Kundendienst ☎ +49 (911)1850 / 398 346 Fax +49 (911)1850 / 355 467 (14Ct./min aus dem dt. Festnetz) Mobifunkpreise koennen abweichen service@glendimplex.de	UK www.dimplex.co.uk ☎ (+44) 0844 879 3589 Fax (+44) 0844 879 3583 A division of the GDC Group Ltd.	IE Glen Dimplex Ireland Barn Road, Dunleer, Co. Louth, Ireland ☎ +353 41 6872001 enquiries@glendimplex.com	NO Glen Dimplex Nordic Havnegata 24, N 7502, Stjørdal, Norway ☎ +47 74 82 91 00 Fax +47 74 82 91 01 www.glendimplex.no email@glendimplex.no
PO Glen Dimplex Poland sp. z o. o. ul. Strezeszynska 33, 60-479 Poznan Poland ☎ +48 61 8425 805 www.glendimplex.pl office@glendimplex.po	NL Glen Dimplex Benelux B.V. Antennestraat 84 1322 AS Almere, Nederland www.glendimplex.nl info@glendimplex.nl	FR Glen Dimplex France ZI Petite Montagne Sud 12 rue des Cévennes 91017 EVRY-LISSES www.glendimplex.fr direction@glendimplex.fr	

UK 1. Warranty Card 2. Guarantee Period (in Years) 3. Model(s) 4. Date of Purchase 5. Stamp & Signature of retailer 6. Fault/Defect 7. Contact Number & Address	PT 1. Cartão de Garantia 2. Período de Garantia (em anos) 3. Modelo(s) 4. Data de Compra 5. Carimbo e Assinatura do retalhista 6. Falha/Defeito 7. Número de Contacto e Morada	FI 1. Takuukortti 2. Takuu aika (vuosina) 3. Malli(t) 4. Ostopäivämäärä 5. Myyntiliikkeen leima ja allekirjoitus 6. Falha/vaurio 7. Yhteysnumero ja osoite	SK 1. Záručný list 2. Záručné obdobie (v rokoch) 3. Model(y) 4. Dátum kúpy 5. Pecat & Podpis obchodníka 6. Porucha/závada 7. Kontaktujte číslo & adresu	GR 1. Κάρτα εγγύησης 2. Περίοδος ισχύος της εγγύησης (έτη) 3. Μοντέλο(α) 4. Ημερομηνία αγοράς 5. Σφραγίδα και υπογραφή εμπόρου 6. Σφάλμα/Ελάττωμα 7. Αριθμός τηλεφώνου και διεύθυνση επικοινωνίας
DE 1. Garantiekarte 2. Garantiezeitraum (in Jahre) 3. Modell(e) 4. Kaufdatum 5. Stempel & Unterschrift des Einzelhändlers 6. Fehler/Defekt 7. Kontakt-Tel.-Nr. & - Anschrift	NL 1. Garantiebewijs 2. Garantieperiode (in jaren) 3. Model(len) 4. Aankoopdatum 5. Stempel & Ondertekening detaillist 6. Fout/Defect 7. Telefoonnummer & Adres	PL 1. Karta gwarancyjna 2. Okres gwarancji (w latach) 3. Model(e) 4. Data zakupu 5. Pieczęć i podpis sprzedawcy 6. Usterka 7. Telefon i adres kontaktowy	LT 1. Garantijos kortele 2. Garantijos laikotarpis (metais) 3. Modelis (modeliai) 4. Pirkimo data 5. Prekybininko antspaudas ir parašas 6. Gedimas / defektas 7. Numeris ir adresas kontaktams	BG 1. Гаранционна карта 2. Гаранционен период (в години) 3. Модел(и) 4. Дата на покупка 5. Печат и подпис на търговеца 6. Неизправност/Дефект 7. Адрес и телефон за контакт
FR 1. Bon de garantie 2. Période de garantie (en années) 3. Modèle(s) 4. Date d'achat 5. Cachet et signature du vendeur 6. Anomalie/Défaut 7. Nom et adresse du contact	DK 1. Garantikort 2. Garantiperiode (i år) 3. Model(ler) 4. Købsdato 5. Detailhandlers stempel & underskrift 6. Fejl/defekt 7. Kontaktnummer & -adresse	CZ 1. Záruční list 2. Záruční doba (roky) 3. Model(y) 4. Datum zakoupení 5. Razítko a podpis prodejce 6. Porucha/chyba 7. Kontaktní číslo a adresa	EE 1. Garantikaart 2. Garantiaeg (aastates) 3. Mudel(id) 4. Ostukuupäev 5. Kaupluse tempel & allkiri 6. Viga/defekt 7. Kontaktnumber & aadress	RU 1. Гарантийная карта 2. Срок действия гарантии (в годах) 3. Модель (модели) 4. Дата покупки 5. Штамп и подпись озинного продавца 6. Неисправность/дефект 7. Номер контактного телефона и адрес
IT 1. Scheda di garanzia 2. Periodo di garanzia (in anni) 3. Modello(i) 4. Data di acquisto 5. Timbro e firma del rivenditore 6. Guasto/difetto 7. Indirizzo e numero di contatto	SEa 1. Garantikort 2. Garantitid (i år) 3. Modell(er) 4. Inköpsdag 5. Återförsäljarens stämpel och underskrift 6. Fel 7. Telefonnummer och adress för kontakt	LV 1. Garantijas talons 2. Garantijas periods (gadi) 3. Modelis(li) 4. Legades datums 5. Mazumtirgotāja zīmogs un paraksts 6. Bojajums/defekts 7. Kontaktlrunis un adrese	HU 1. Garancialevél 2. Garancia időtartama (években) 3. Modell(ek) 4. Vásárlás időpontja 5. Eladó bélyegzője és aláírása 6. Hiba/Hiány megnevezése 7. Értesítési telefonszám és cím	KZ 1. Кепілдік картасы 2. Кепілдік мерзімі 3. Үлгі(лер) 4. Сатылған күні 5. Сатушының мөрі мен қолтаңбасы 6. Кемістік/Ақаулық 7. Байланыс телефоны және мекен-жайы
ES 1. Tarjeta de garantía 2. Período de garantía (en años) 3. Modelo(s) 4. Fecha de adquisición 5. Sello y firma del distribuidor 6. Avería/Defecto 7. Número y dirección de contacto	NO 1. Garantikort 2. Garantiperiode (i år) 3. Modell(er) 4. Kjøpsdato 5. Selgers stempel og signatur 6. Feil/defekt 7. Kontaktnummer og adresse	SI 1. Garancijski list 2. Obdobje veljavnosti garancije (v letih) 3. Model(i) 4. Datum nakupa 5. Žig in podpis prodajalca 6. Pomanjkljivost/okvara 7. Kontaktna številka in naslov	HR 1. Jamstvena kartica 2. Jamstveni period (u godinama) 3. Model(i) 4. Datum kupnje 5. Pecat i potpis dobavljača 6. Kvar/defekt 7. Broj i adresa za kontakt	